

# Technical

# Manual

Coca-Cola Lean Marketing Vender

**P Series LMV**



## Models DN552P & DN756P

Beginning Production Run 6925CB

Dixie-Narco, Inc.

P.O. Drawer 719

Williston, SC 29853-0719

803-266-5001

fax: 803-266-5049

Visit us on the web: [www.dixienarco.com](http://www.dixienarco.com)

Manufactured by



Part #803,903,780.11

# Table of Contents

<b>GENERAL INFORMATION</b>	
Application.....	4
Vender Safety Precautions.....	4
Product Identification.....	4
Physical Characteristics.....	4
<b>A</b>	<b>INSTALLATION &amp; SETUP</b>
Unpacking the Vender.....	5
Electric Power Requirements.....	5
Ground the Vender.....	5
Placing the Vender on Location.....	5
Level the Vender.....	6
Space the Vender.....	6
Coin Changers and Other Accessories.....	6
Loading the Change Tubes.....	6
Loading Product.....	7
Initial Loading.....	7
<b>B</b>	<b>PROGRAMMING</b> ..... 8 -27
Quick Reference Prompts.....	28
Set Vender Type.....	29
Default Space to Sales Setting.....	30
<b>C</b>	<b>GENERAL MAINTENANCE</b>
Power.....	31
Cleaning.....	31
Refrigeration Condenser.....	31
Coin Acceptor.....	31
Lubricating the Vender.....	31
EPROM Replacement.....	32
<b>D</b>	<b>MAJOR COMPONENT DESCRIPTION</b>
Electrical.....	34
Refrigeration.....	34
SBC Control Board.....	35
<b>E</b>	<b>TROUBLESHOOTING FLOWCHARTS</b>
All Coins are Rejected.....	36
All Bills are Rejected.....	37
Incorrect Change Dispensed.....	38
Selection Will Not Vend.....	39
Ice / Frost on Evaporator.....	40
Compressor Runs Continuously.....	40
Compressor Will Not Start.....	41
Machine Not Cooling.....	42
Can't Enter the Menu or Diagnostics.....	43
Lights Are Not On.....	44
One or Motors Run When The Main Door Is Closed.....	45
Sold Out.....	46
The Display is Dead.....	47
Can't Read the Display.....	48

# Table of Contents

<b>F</b>	<b>WIRING DIAGRAMS AND SCHEMATICS</b>	
	Figure 1 – LMV Wiring Diagram .....	49-50
	Figure 2 – Compressor Wiring Diagram .....	51
<b>G</b>	<b>PARTS LIST</b>	
	MAIN DOOR EXTERIOR .....	52-53
	MAIN DOOR INTERIOR .....	54-55
	COIN INSERT.....	56-57
	SELECT PANEL.....	58
	T8 LIGHTING.....	59
	ELECTRONIC COMPONENTS .....	60
	INNER DOOR .....	61-62
	HARNESSING .....	63
	POWER DISTRIBUTION BOX.....	64-65
	CABINET AND VEND MECHANISM (SECTION 1) .....	66
	CABINET AND VEND MECHANISM (SECTION 2) .....	67
	CABINET .....	68
	VEND ROTOR .....	69
	VEND MECHANISM OSCILLATOR.....	70
	REAR SPACERS .....	71
	CHUTE ASSEMBLY .....	72
	EVAPORATOR FAN HOUSING .....	73-74
	REFRIGERATION .....	75-76
	MISCELLANEOUS LABELS .....	77
	SIGNS AND DECALS.....	78
	SCREWS & NUTS .....	79-80
	WASHERS, BOLTS, & MISC. HARDWARE.....	81-83

**APPLICATION**

This information applies to P Series venders manufactured the third quarter 2003 which have significant differences in programming and parts content from previous venders. To order parts or information pertaining to this vender, please contact Dixie Narco.

The second alpha-character identifies the year:

- B = 2003
- C = 2004
- D = 2005

**VENDER SAFETY PRECAUTIONS**

Please read this manual in its entirety. This service information is intended for use by a qualified service technician, who is familiar with proper and safe procedures to be followed when repairing, replacing, or adjusting any Dixie-Narco vender components. All repairs should be performed by a qualified service technician who is equipped with the proper tools and replacement components, using genuine Dixie-Narco factory parts.

*REPAIRS AND/OR SERVICING ATTEMPTED BY UNINFORMED PERSONS CAN RESULT IN HAZARDS DEVELOPING DUE TO IMPROPER ASSEMBLY OR ADJUSTMENTS WHILE PERFORMING SUCH REPAIRS. PERSONS NOT HAVING A PROPER BACKGROUND MAY SUBJECT THEMSELVES TO THE RISK OF INJURY OR ELECTRICAL SHOCK WHICH CAN BE SERIOUS OR EVEN FATAL.*



**PRODUCT IDENTIFICATION**

First production of P Series August 2003

The production date of Dixie-Narco products is determined by the date code incorporated in the serial number.

The vender serial number takes the form yyyzz-xxxx. The last 4 digits (xxxx) identify the specific vender. The first 4 digits (yyyy) identify the manufacturing run that the vender was built in. The two alpha characters (zz) identify the quarter and the year the vender was built. The first alpha-character identifies the quarter.

- A = 1st quarter
- B = 2nd quarter
- C = 3rd quarter
- D = 4th quarter

**PHYSICAL CHARACTERISTICS**

	552P	756P
HEIGHT	72"	72"
WIDTH	28"	36"
DEPTH	33.5"	33.5"
DEPTH WITH VALIDATOR	N/A	N/A
SHIPPING WEIGHT	600 lbs.	788 lbs.
Loaded Weight 4 Deep Cans	1134 lbs	TBD

Model	# of Selections	# of Wide Columns	# of Narrow Columns
552P	8	2	4
756P	12	3	5

**RECEIVING INSPECTION**

Upon receipt, inspect the vender for any shipping damage. If there is any damage have the driver note the damage on the bill of lading and notify Dixie-Narco.

Although the terms of sale are FOB shipping point, which requires the consignee to originate shipping damage claims, Dixie-Narco will gladly help if you must file a claim.

The Dixie-Narco P Series vender is designed utilizing the latest technology.

**UNPACKING THE VENDERS**

Remove the stretch wrap and top cover from the vender. Product cards are installed in the select buttons.



*DO NOT STORE THE VENDER OUTSIDE WITH THE STRETCH WRAP ON. THIS COULD CAUSE THE STRETCH WRAP TO BOND TO THE VENDER'S SURFACE, WHICH COULD DAMAGE THE FINISH.*

Remove the shipping boards from the bottom of the vender. The shipping boards are attached by the leveling legs. To avoid unnecessary damage to the leveling legs or base, remove the shipping boards by using a 1½" "socket type" wrench to unscrew the leveling legs. Be sure to replace the legs after removing the shipping boards.

**WARNING**

TO AVOID THE POSSIBILITY OF A FIRE HAZARD, DO NOT STORE ANYTHING OR ALLOW DEBRIS OF ANY KIND TO ACCUMULATE IN THE BOTTOM OF THE DOOR, IN AND AROUND THE REFRIGERATION COMPARTMENT OF THE CABINET, OR IN FRONT OF THE EVAPORATOR AND CONDENSER COILS.

**ELECTRIC POWER NEEDED**

Refer to the cabinet serial number plate to determine the proper voltage and frequency the machine requires (domestically this requirement is 120 Volts, 60 Hertz). The cabinet serial plate also indicates the Amperage of the vender. The vender must be plugged into a properly rated, single phase alternating current outlet with its own circuit protection (fuse / circuit breaker).

**DO NOT USE AN EXTENSION CORD.**

**GROUND THE VENDER**

The vender is equipped with a three-wire power supply cord and **MUST** be plugged into a properly grounded outlet.

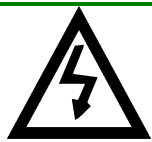
**DO NOT REMOVE THE GROUND PIN OR IN ANY WAY BYPASS, MODIFY, DEFEAT, OR DESTROY THE GROUNDING SYSTEM OF THE VENDER.**

If the outlet will not accept the power cord plug, contact an electrician to install a proper AC outlet.

FAILURE TO COMPLY WITH THESE INSTRUCTIONS MAY SUBJECT THE USER TO THE RISK OF INJURY OR ELECTRICAL SHOCK WHICH CAN BE SERIOUS OR FATAL. PERIODICALLY INSPECT THE POWER SUPPLY CORD FOR DAMAGE. IF THE CORD BECOMES DAMAGED IT MUST BE REPLACED WITH THE SAME SIZE AND TYPE CORD. CONTACT DIXIE-NARCO FOR ASSISTANCE.



Warning



Warning

WARNING: ENSURE THAT POWER IS DISCONNECTED FROM THE VENDER OR THAT THE POWER INTERRUPT SWITCH IS NOT DEFEATED BEFORE INSPECTING OR REPLACING THE LAMPS, OTHER ELECTRICAL COMPONENTS, OR WORKING WITH OR ADJUSTING THE VENDING MECHANISM. FAILURE TO COMPLY WITH THESE INSTRUCTIONS MAY SUBJECT THE USER TO THE RISK OF ELECTRICAL SHOCK OR MECHANICAL INJURY, WHICH CAN BE SERIOUS OR FATAL.

**PLACING THE VENDER ON LOCATION****!! CAUTION !!**

*DO NOT TRANSPORT THE VENDER TO OR FROM THE LOCATION LOADED WITH PRODUCT. DAMAGE TO THE VENDER MAY RESULT.*



This Vender is suitable for indoor/outdoor use. The vender must be located on a solid, flat, and level surface. Ensure the flooring can bear the weight of a fully loaded vender (approx. 1134 lbs). The vender must be positioned close enough to an electrical outlet that an extension cord is not required. If the machine will be subject to user misuse or vandalism, it is recommended that the vender be secured to the floor or wall as described in Dixie-Narco Technical Bulletin 344. Call the Dixie-

Narco Technical Service Department or your Dixie-Narco Representative for assistance.

**LEVEL THE VENDER**

When the vender is level, the door can be opened to any position and it will not move by itself. Open the door to several different positions before deciding the vender is level. A carpenter's level will help verify the machine is level.

Make sure that all leveling legs are in contact with the floor. If you cannot level the vender in its current location, select another location. DO NOT place any objects under the machine.

This Machine is not suitable for installation in an area where a water jet may be used.

**DANGER**

*THE VENDER MUST BE PROPERLY LOCATED AND LEVELED. IF THE MACHINE WILL BE SUBJECT TO USER MISUSE OR VANDALISM IT IS RECOMMENDED THAT THE VENDER BE SECURED TO THE FLOOR OR WALL AS DESCRIBED IN DIXIE-NARCO TECHNICAL BULLETIN 344 TO MINIMIZE THE RISK OF INJURY OR DEATH FROM TIPPING. CALL THE DIXIE-NARCO TECHNICAL SERVICE DEPARTMENT OR YOUR DIXIE-NARCO REPRESENTATIVE FOR ASSISTANCE.*



**SPACE THE VENDER**

Do not block the rear of the vender. Keep the vender 4 inches (10 cm) from the wall to ensure adequate airflow to the condenser and compressor. At the front of the vender, make sure that nothing obstructs the air intake at the bottom of the main door. At the rear of the vender, make sure nothing obstructs the air exhaust at the bottom of the cabinet.

**WARNING**

*TO AVOID THE POSSIBILITY OF A FIRE HAZARD, DO NOT STORE ANYTHING OR ALLOW DEBRIS OF ANY KIND TO ACCUMULATE IN THE BOTTOM OF THE DOOR, IN AND AROUND THE REFRIGERATION COMPARTMENT, THE CABINET, OR IN FRONT OF THE EVAPORATOR AND CONDENSER COILS.*



**COIN CHANGERS & OTHER ACCESSORIES**

The vender must have an MDB coin changer installed and can have an MDB bill acceptor installed. If the MDB coin changer and other MDB accessories are not factory installed, refer to the instructions received from the manufacturer of the MDB coin changer and other MDB accessories for proper set-up and installation.

The vender will support the following MDB coin changers:

- Multi-Drop Coin Mech (Domestic)
- Coinco 9302GX
- Coinco USQ G700 Series
- Conlux USLZ-101
- Conlux CCM5G
- Mars 4510
- Mars 6512

The vender will support the following MDB bill validators:

- Multi-Drop Bill Validators (Domestic)
- Coinco BA30B, BA50, MAG30, MAG50
- Mars VN2512, VN2502, VN2312
- Conlux NBU-2111-12, NBM 3000 Series
- Ardac 5500 Series

The vender will support the following MDB card readers:

At publication, card reader dispositions were not available. Contact card reader manufacturer for proper installation and setup.

**LOADING CHANGE TUBES**

Open the main door and enter the "TUFL" **TUBE FILL ROUTINE** mode in the sub-menu in Programming (see Section B – Programming).

Load the coin mechanism with coins by inserting coins in the coin mech's separator. The display will show the total of coin type as they are inserted.

*Note: A low coin level in the coin tubes will interfere with operation of the bill validator.*

For additional information about coin mechanisms, refer to the specific manufacturer's instructions.

### ***Loading Product***

The P Series Vender is designed to vend a wide range of packages.

All P Series Venders are shipped ready to vend packages according to customers orders. To vend an alternative package in the P Series vender, contact Dixie Narco Technical Service Dept. or your Representative for assistance.

### ***INITIAL LOADING***

To ensure proper vending, make sure wide columns are set to vend the proper packages. When loading a wide column, the first row of bottles should be loaded on the bottom bar of the oscillator. The second row of packages must be loaded on the top bar of the oscillator. Always load complete rows; do not load only to the back or only to the front of the column.

The narrow column rotors must be in the “cup” position to receive the first row of packages. When loading narrow columns, lay the first row of packages in the rotor. The second row of packages must be loaded on the load bar.

Correct loading will prevent service calls and ensure proper vending.

After loading the vender for the first time, ensure the vender is loaded and primed. Priming is done in programming. **The depth must also be programmed depending on the package to be vended. Cans may be programmed up to 4 deep.**

NOTE: To ensure proper airflow through the evaporator, DO NOT place bottles (or other foreign) objects in the bottom of the tank.

### **SERVICE NOTE**

#### **Battery Backup (SBC)**

The Single Board Controller is equipped with a battery backup which is used to retain information programmed in the system (pricing, time, date, etc.) in case of power interruptions or any time the main power is off. When the vender is shipped, the battery is connected and memory is being maintained.

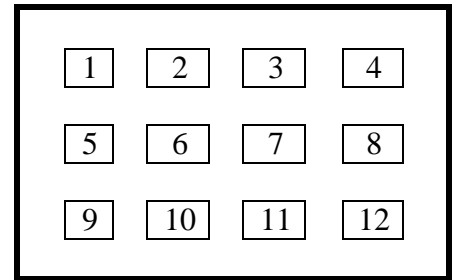
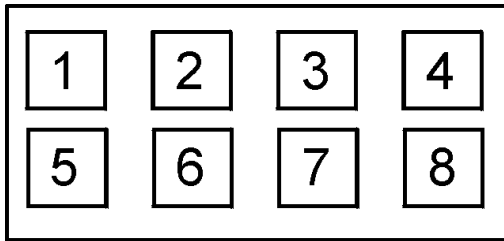
Disconnect the battery if the vender will be stored for a long period of time. The following steps will guide you through this procedure.

- Remove power from the vender by unplugging the main power cord from the wall receptacle.
- Locate the Control Board on the main door. Remove the battery from its holder (B1).

**COCA-COLA EVS REVISION 3.0 P SERIES PROGRAMMING METHOD**

August 2003

The controller has two modes of operation: SALES and SERVICE.

**SALES MODE:**

In sales mode, on power up display will show software installed in vender, then change to POS message or decimal point. Note: If "COLS" "" appear s on the display on power up with the door open, you will need to program the vender model number in the controller. To program with "COLS" on the display press select button 4. The display will show "6" for six columns. Press select button 2 to scroll through available number of columns in the machine. When the displayed number of columns matches the number of columns in the machine, press select button 4 to set the number of columns. "MODL" will appear on the display, press select button 4. The display will show the first available model number for the current vender type. Press select button 2 to scroll through the available vender model numbers for this vender. When the vender type you wish to save is showing on the display, press select button 4. The display will scroll "4 = SET PACKAGE TYPE 1 = EXIT". Press select button 4 and the display will show "ALL1" with the 1 flashing. This will allow you to set the package type of the machine if it is different that the default of package type 2. Press select button 2 to scroll through the available package types. Press select button 4 to set the displayed package type, and the display will show "SAVE". Press button 4 to save the package type. "PRM1" will appear on the display. Press button 4 to prime column 1 or select button 1 to skip priming column 1. The display will then display "PRM2". Repeat the priming process until all columns have been primed or skipped. The controller will return to normal door open operating mode. The far right decimal also being lit indicates column(s) is (are) - jammed or select switch(es) are stuck. When money is inserted, the display indicates the total amount of the deposit. The select buttons are used to select the product. In sales mode you may access an external menu for reading historical sales counters, cash counters, error codes, or return to sales mode.

**SERVICE MODE:**

If configuration switch 4 is set to "C4 0", when the door is opened, "NONE" or a list of Error codes will show on the display. If configuration switch 4 is set to "C4 1", when the door is opened, "CASH #####-##.##", "SALE #####-####", "CARD #####-#####", "EROR", or "NONE" will show on the display. The service mode is entered when the door is open and the service switch on the controller is pressed. The operator can now use the first four select switches to move through the main routine menu.

- |                  |   |
|------------------|---|
| Select Button 1: | Abort/Cancel - will return to previous menu prompt.   |
| Select Button 2: | Scroll Up - forward in menu.  |
| Select Button 3: | Scroll Down - backward in menu.   |
| Select Button 4: | Enter/Save/Clear - Allows you to enter a specific routine, save what you have programmed, or clear the error prompts. |

Note: Routines with \* are password protected. They can only be viewed and entered after the password is entered at the "PASS" prompt.

**EXTERNAL MENU MODE:**

The information available in this mode is obtainable with the door closed or open as long as the vender is in sales mode, by entering the password which is set at 4,2,3,1. Information available is historical cash counted, resettable cash counted for each selection, historical sale (total number of vends), resettable vends counted for each selection, error codes, and return. Refer to the "CASH", "SALE", AND "EROR" routines for instructions to move through the menus.

**PROGRAMMING MENU****"EROR" - ERROR ROUTINE**

This function allows you to enter the error readout routine. Error will appear when you press the service button on the control board. Press select button 4, if there have been no errors since the last reset, the display will read "NONE". If one or more errors have occurred, the display will show the first error code that occurred.



The following are error codes that may be displayed and detailed information accessed: NONE, VEND, CTRL, SEL, STS, CHAR, BUAL, CRDR, S-D, and RFRG.

Press select button 2 or 3 to scroll through any error codes that are present.

Important: If there is only one problem, that will be the only error code shown when you enter the error code sub-menus.

With an error code showing on the display, press select button 4 to access detailed information.

With an error code showing on the display, press and hold select button 4 for 2 seconds, will clear the error.

Press select button 1 to return to "EROR".

**"VEND" - Vend Mechanism Summary Errors**

Press select button 4 and the display will show one of the following:

- "CJ#", where # is the column number detected jammed.
- "CS", chute sensor failure.
- "HS", home sense error.

Press select button 1 will return to "VEND" if all vend mech errors have not been cleared.

If all vend mech errors have been cleared the next error mode will be displayed, or "NONE" if there are no errors.

Press select button 1 will return to "EROR".

**"CTRL" - Control System Summary Errors**

Press select button 4 and the display will show one of the following:

- "DS", indicating a door switch in the open position for more than 1 hour.
- "RAM", indicating the check sum for service mode settings memory has been corrupted.
- "ACLO", indicating AC supply to the machine has fallen more than 15% below normal line voltage for more than 30 seconds.
- "SF", indicating a peripheral has introduced a scaling factor that is incompatible with current setting.

Press select button 1 will return to "CTRL" if all control system errors have not been cleared.

If all control system errors have been cleared the next error code will be displayed, or "NONE" if there are no errors.

Press select button 1 will return to "EROR".

**"SEL" - Select Switch Summary Errors**

Press select button 4 and the display will show "SL##", indicating a select switch has been active for more than 15 seconds while in normal (sales) mode.

Press select button 1 will return to "SEL" if all select switch errors have not been cleared.

If all select switch errors have been cleared the next error code will be displayed or "NONE" if there are no errors.

Press select button 1 will return to "EROR".

**"STS" - Space To Sales Summary Errors**

Press select button 4 and the display will show "UA##", indicating a column not assigned to a select button.

Press select button 1 will return to "STS" if all space-to-sales errors have not been cleared.

If all space-to-sales errors have been cleared the next error code will be displayed, or "NONE" if there are no errors.

Press select button 1 will return to "EROR".

**"CHAR" - Changer Summary Errors**

Press select button 4 and the display will show one of the following:

- "CC", indicating a changer communication error. (No communication for more than 2 seconds)
- "TS", indicating a tube sensor error.
- "IC", indicating an inlet chute blocked error (no coins sensed in acceptor for 96 hours).
- "TJ##", indicating a tube jam error.
- "CRCH", indicating a changer ROM check sum error (failed changer).
- "EE", indicating excessive escrow attempts (more than 255 since last coin sensed).
- "NJ", indicating a coin jam reported by coin mech.

- "LA", indicating a low coin acceptance rate (less than 80%).
- "DIS", indicating an acceptor is unplugged.
- "ROUT", indicating a coin was mis-routed.

Press select button 1 will return to "CHAR" if all changer errors have not been cleared.

If all changer errors have been cleared the next error code will be displayed or "NONE" if there are no errors.

Press select button 1 will return to "EROR".

#### "BUAL" - Bill Validator Summary Errors

Press select button 4 and the display will show one of the following:

- "BC", indicating a bill validator communication error. (No communication for more than 5 seconds)
- "BFUL", indicating the bill stacker is full.
- "BILL", indicating a defective motor in the validator.
- "BJ", indicating a bill jam in the validator.
- "BRCH", indicating a check sum error.
- "BOPN", indicating an open stacker.
- "BS", indicating a bill validator sensor error.

Press select button 1 will return to "BUAL" if all changer errors have not been cleared.

If all validator errors have been cleared the next error code will be displayed or "NONE" if there are no errors.

Press select button 1 will return to "EROR".

#### "CRDR" - Card Reader Summary Errors

Press select button 4 and the display will show one of the following:

- "CRC", indicating no card reader communication for 5 seconds.
- "CRXY", indicating the most recent "non-transient error" from the card reader (failed card reader).

Press select button 1 will return to "CRDR" if all changer errors have not been cleared.

If all card reader errors have been cleared the next error code will be displayed or "NONE" if there are no errors.

Press select button 1 will return to "EROR".

Press select button 2 will scroll to the next routine.

#### "S-D" - Display Device Summary Errors

Press select button 4 and the display will show one of the following:

- "SDC", indicating no display device communication for 5 seconds.
- "SDXX", error code number "XX".

Press select button 1 will return to "S-D" if all display device errors have not been cleared.

If all display device errors have been cleared the next error code will be displayed or "NONE" if there are no errors.

Press select button 1 will return to "EROR".

Press select button 2 will scroll to the next routine.

#### "RFRG" - Refrigeration Summary Errors

Press select button 4 and the display shows one of the following:

- "SENS", indicating the temperature sensor is defective or unplugged.
- "COLD", indicating the cabinet temperature is 3<sup>0</sup> F below lower limit.
- "HOT", indicating the cabinet temperature is 3<sup>0</sup> F above upper limit.
- "CNPR", indicating the cooling system has failed to decrease temperature 1<sup>0</sup> F per hour while the compressor is running.

#### **"CPO" - COIN PAYOUT ROUTINE**

This function allows you to dump coins from the coin mechanism.

Press select button 4 to enter mode and the lowest coin value dispensable will show on the display. If a coin mech is not in the vender "NOCM" will be displayed.

Press select button 2 or 3 to scroll through the different coin values available.

Press and hold select button 4 to dump the coins whose value is shown on the display.

Press select button 1 will return to "CPO".

Press select button 2 to scroll to the next routine.

**"TUFL" - TUBE FILL ROUTINE**

This function allows you to count the coins loaded in the top (separator) of the coin mech that will be routed to an inventory tube. Press select button 4 to enter mode and the total number of the coin type being entered will be displayed and counted in the vender controller as they are installed. . If a coin mech is not in the vender "NOCM" will be displayed. The controller will inhibit the acceptance of any coin, which does not go to a tube during this procedure. If a tube full status is detected, that coin type will be inhibited. When you finish loading all coins:

Press select button 1 to return to "TUFL".  
Press select button 2 to scroll to the next routine.

**"TEST" - TEST ROUTINE**

This function allows you to diagnose different functions of the vender.  
Press select button 4 and the display will show "VEND".  
Press select button 2 or 3 to scroll through the test routines available.  
Press select button 1 to return to "TEST".

**"VEND" - Vend Testing**

This function allows you to test vend each column.  
Press select button 4 and the display will show "CO-1".  
Press select buttons 2 or 3 to scroll through the columns available to run in motor test.  
Press select button 4 to run the motor of the column displayed. The Motor will run until a product is dispensed or the motor cycles through the package set cycles and determines column is sold out.  
Press select button 1 will return to "VEND".  
Press select button 2 to scroll to next test mode.

**"JOG" - Jog Test or Prime**

This function allows you to test jog or prime each column.  
Press select button 4 and the display will show "CO-1".  
Press select buttons 2 or 3 to scroll through the columns available to run in jog test.  
Press select button 4 to select the column displayed and "FOR" is displayed.  
Press select buttons 2 or 3 to scroll through "FOR"(forward), "REV"(reverse), and "PRIM"(prime) motor direction.  
Press select button 4 to jog/prime the selected motor in the displayed direction.  
Press select button 1 will return to "CO-X". Where X is the column that was just tested.  
Press select button 1 again will return to "JOG".  
Press select button 2 to scroll to next test mode.

**"SL" - Select Switch Test**

This function allows you to test each select switch.  
Press select button 4 and the display will show "4". Then press any select button and the display will show the last select button pressed.  
Press and hold select button 1 for approximately 5 seconds will return to "SL".  
Press select button 2 to scroll to the next test mode.

**"SO" - Sold Out Test**

This function allows you to view if a column is sold-out or not sold-out.  
Press select button 4 and the display will show "C##", where C# represents the column number being checked and second # 0 = not sold-out, 1 = sold-out.  
**On machines with DC motors**, the current sold out state will be displayed.  
Press select button 1 to return to "SO".  
Press select button 2 to scroll to the next test mode.

**"DSP" - Display Test**

This function allows you to test all segments in the display.  
Press select button 4 and the display segments will illuminate in the following manner; all vertical elements followed by all horizontal elements, then all diagonal elements. All sold-out indicators (if

used) are lit with the horizontal elements and "Use Correct Change Only" indicators are lit with the vertical elements.

Press select button 1 to return to "DSP".

Press select button 2 to scroll to "RELY".

#### "RELY" - RELAY TEST

This function allows you to test the relay electronic control of the compressor (CNP#), the evaporator fan(s) (FAN#), and the sign front light (LIT#).

***CAUTION: Disconnect power to the compressor before testing the compressor relay. Failure to disconnect power to the compressor before testing the relay could result in damaging the compressor.***

Press select button 4 and the display will show "CNP#", where # is the state of the relay –

0 = not activated or off; 1 = activated or on. Press select button 4 to toggle the relay on and off.

Press select button 2 to scroll to "FAN#", where # is the state of the relay – 0 = not activated or off, 1 = activated or on.

Press select button 4 to toggle the fan(s) on and off.

Press select button 2 to scroll to "LIT#", where # is the state of the relay – 0 = not activated or off;

1 = activated or on. Press select button 4 to toggle the lights on and off.

Press select button 1 to return to "RELY".

Press select button 1 again to return to "TEST".

Press select button 2 to scroll to "PASS".

#### \* "PASS" - PASSWORD ROUTINE

This function allows you to enter the following routines, which are not accessible until the operator enters a password, which is set as 4-2-3-1. To enter the password, press select button 4 until the display goes blank. Then press select button 2, then 3, then 1, and then 4, and "CASH" should appear on the display. If not entered properly, the display will return to "PASS". If entered correctly, the display will go to the next function "CASH".

#### \* "CASH" - CASH COUNTER ROUTINE

This function will show the user the vender historical total cash counted and the resettable cash counted for each selection for the vender.

Press select button 4 and "CASH"/"####"/"##.##" will show on the display where the 8"# characters are the historical total cash counters that have been recorded. Note: Leading zeros are not displayed. Example: Display flashes "CASH", then "26", then "2500". This is \$2625.00 historical total cash.

Press select button 2 or 3 to display "CA#"/"####"/"##.##" where the character "CA#" is a selection number and the 8"# characters are the resettable cash counters for that selection. Note: Leading zeros are not displayed. Pressing select button 2 or 3 at this time will scroll through the available selection cash counters. Example: Display flashes "CA1", then "5", then "20.50". This is \$520.50 resettable cash for selection #1. Press select button 1 to return to "CASH"/"####"/"##.##". Press select button 1 again to return to "CASH".

Press select button 2 to scroll to the next routine.

#### \* "SALE" - SALES COUNTER ROUTINE

This function will show the user the vender historical total number of vends and the resettable vends counted for each selection for the vender.

Press select button 4 and "SALE"/"####"/"####" will show on the display where the 8"# characters are the historical total vend counters that have been recorded. Note: Leading zeros are not displayed. Example: Display flashes "SALE", then "1325". This is 1325 historical vends.

Press select button 2 or 3 to display "SL#"/"####"/"####", where the "SL#" character is a selection number and the 8"# characters are the resettable vend counters for that selection. Note: Leading zeros are not displayed. Pressing select button 2 or 3 at this time will scroll through the available selection vend counters. Example: Display flashes "SL 1" then "145". This is 145 resettable vends counted for selection 1. Pressing select button 1 will return to "SALE"/"####"/"####". Press select button 1 to return to "SALE".

Press select button 2 to scroll to the next routine.

**\* "PRIC" - PRICE SETTING ROUTINE**

This function allows the user to set pricing. When Configuration Switch 1 is programmed to "C1 1", multi-pricing is on and a price for each selection needs to be set.

Press select button 4 and "PR1" will show on the display.

Press select button 4 to set the price on select button 1, "00.00" or current price setting will show on the display.

Press select button 2 or 3 to change the price setting for selection 1.

Press select button 4 to enter the price selected and the display will return to "PR1".

Press select button 2 to scroll to the next selection you wish to set price. Press select button 4, set the price and enter the price. Repeat these steps for each select button until all prices are set. Note: Selections go PR1 through ALL.

*If Configuration Switch 1 is programmed to "C1 0", single price, set SPRI1 as described above. The price entered for SPRI1 will be set for all selections.*

Press select button 1 to return to "PRIC".

Press select button 2 to scroll to the next routine.

**\* "STS"- SPACE-TO-SALES ROUTINE**

This function allows you to change the space-to-sales settings.

Press select button 4 and "OPT#" or "CSTS" will show on the display, this indicates the current space-to-sales option.

Press select button 2 or 3 to scroll through the options.

Press select button 4, with the desired option showing on the display, to save that option and return to "STS".

Space-to-Sales Options:

**SELECT / COLUMN OPTIONS**

Select #	DN552					
	opt 1	opt 2	opt 3	opt 4	opt 5	opt 6
1	1	1	1	1	1	1
2	1	2	2	2	2	1
3	2	2	3	3	3	2
4	2	3	3	4	4	3
5	3	3	4	4	5	4
6	4	4	4	5	5	5
7	5	5	5	5	6	6
8	6	6	6	6	6	6
9	NA	NA	NA	NA	NA	NA
10	NA	NA	NA	NA	NA	NA
11	NA	NA	NA	NA	NA	NA
12	NA	NA	NA	NA	NA	NA

Select #	DN756					
	opt1	opt2	opt3	opt4	opt5	opt 6
1	1	1	1	1	1	1
2	1	2	2	2	2	1
3	2	2	3	3	3	2
4	2	3	3	4	4	3
5	3	3	4	4	5	4
6	3	4	4	5	5	5
7	4	4	5	5	6	6
8	4	5	5	6	6	6
9	5	5	6	6	7	7
10	6	6	6	7	7	7
11	7	7	7	7	8	8
12	8	8	8	8	8	8

NA = Not Applicable

"CSTS" - Custom space-to-sales allows you to assign columns to select buttons. Press select button 4 and "SL###" will alternate showing on the display. SL# is the select button number and ## is the column(s) currently assigned or "NONE". Press select button 4 and "CO#" will show on the display. "CO#" is the column number to be added or deleted to select button. Press select button 4 and "CO # #" will show on the display with # blinking on the display; 0 = off or delete, 1 = on or add. Press button 2 to scroll between 0 and 1. With the setting you wish to use showing on the display press select #4 and return to "CO#". Press select button 1 will return to "SL###". Press select button 1 again will go to "SAVE". Press select button 4 to save and display will go to "STS". Repeat steps above to add/delete columns to each selection. Press select button 2 to scroll to next routine.

## \* "CON" - MACHINE CONFIGURATION

This function allows the user to access and change the programming of the following machine configuration settings. If you press select button 4 and the display shows "LOC", this means configuration setting changes will not be allowed. If "C1" is displayed, then configuration setting changes will be allowed. "LOC" can only be enabled or disabled through DEX programming. If "C1" is displayed, the listed settings are available. Note: You must press select button 4 with the configuration code displayed if you wish to enter the edit mode. The "0" or "1" will be flashing to acknowledge you are in the edit mode.

IMPORTANT: All machine configuration codes are disabled coming from the factory (C #0).

C1 - Configuration Switch 1 - Multi-Price Setting Mode

This code is used to enable the single price mode "C1 0" or multi-price mode "C1 1".

Press select button 4 and "C1 #" will be displayed, with the "#" flashing.

Press select buttons 2 or 3 to scroll between "C1 0" and "C1 1".

Press select button 4 with the display flashing the setting you wish to use to select that setting, or press select button 1 to return to "C1 #" and keep the original setting.

Press select button 2 to scroll to "C2 #".

C2 - Configuration Switch 2 - Optional Features Enable

This code is used to allow (C2 1) the following optional features to be displayed and enabled:

"DISC", "OVER", "BLC1", "BLC2", and "SDEP".

Press select button 4 and "C2 #" will be displayed with the # flashing.

Press select buttons 2 or 3 to scroll between "C2 0" and "C2 1".

Press select button 4 with the display flashing the setting you wish to use to select that setting, or press select button 1 to return to "C2 #" and keep the original setting.

Press select button 2 to scroll to "C3".

C3 - Configuration Switch 3 - POS Message

This code is used to disable the point of sale message. C3 0 = enabled, C3 1 = disabled.

Press select button 4 and "C3 #" will be displayed, with the "#" flashing.

Press select buttons 2 or 3 to scroll between "C3 0" and "C3 1".

Press select button 4 with the display flashing the setting you wish to use to select that setting, or press select button 1 to return to "C3 #" and keep the original setting.

Press select button 2 to scroll to "C4".

C4 - Configuration Switch 4 - Automatic Viewing of Historical Sales and Cash Accounting, EROR or NONE

This code is used to enable viewing of historical sales and cash, and EROR or NONE automatically when the door is opened. To enable automatic viewing option enter "C4 1"; to disable enter "C4 0".

At "C4 0" any existing errors or "NONE" is automatically displays when the door is open.

Press select button 4 and "C4 #" will be displayed, with the "#" flashing.

Press select button 2 or 3 to scroll between "C4 0" and "C4 1".

Press select button 4 with the display flashing the setting you wish to use to select that setting, or press select button 1 to return to "C4 #" and keep the original setting.

Press select button 2 to scroll to "C5".

C5 - Configuration Switch 5 - Door Switch Reset Status

This code is used to reset all resettable data when the door switch is cycled and at least one data register is read via the display when set at "C5 1" or to reset all resettable data only when the "RESET" command is received via handheld or portable computer when set at "C5 0".

Press select button 4 and "C5 #" will be displayed, with the "#" flashing.

Press select buttons 2 or 3 to scroll between "C5 0" and "C5 1".

Press select button 4 with the display flashing the setting you wish to use to select that setting, or press select button 1 to return to "C5 #" and keep the original setting.

Press select button 2 to scroll to "C6".

C6 - Configuration Switch 6 - Reserved

This code is reserved for future use.

Press select button 2 to scroll to "C7".

- C7 - Configuration Switch 7 - Save Credit  
 This code is used to determine how long a credit will be saved.  
 C7 0 will save the credit for five minutes. C7 1 will save the credit indefinitely.  
 Press select button 4 and "C7 #" will be displayed, with the "#" flashing.  
 Press select button 2 or 3 to scroll between C7 0 and C7 1.  
 Press select button 4 with the display flashing the setting you wish to use to select that setting, or press select button 1 to return to "C7 #" and keep the original setting.  
 Press select button 2 to scroll to "C8".
- C8 - Configuration Switch 8 - Force Vend  
 This code is used to determine escrow to select or escrow to price.  
 C8 0 will set vender to escrow to select and C8 1 will set vender to escrow to price.  
 Press select button 4 and "C8 #" will be displayed, with the "#" flashing.  
 Press select button 2 or 3 to scroll between C8 0 and C8 1.  
 Press select button 4 with the display flashing the setting you wish to use to select that setting, or press select button 1 to return to "C8 #" and keep the original setting.  
 Press select button 2 to scroll to "C9".
- C9 - Configuration Switch 9 - Multi Vend  
 This code is used to allow multiple vends without re-depositing funds.  
 C9 0 will not allow multiple vends and C9 1 will allow multiple vends.  
 Press select button 4 and "C9 #" will be displayed, with the "#" flashing.  
 Press select button 2 or 3 to scroll between C9 0 and C9 1.  
 Press select button 4 with the display flashing the setting you wish to use to select that setting, or press select button 1 to return to "C9 #" and keep the original setting.  
 Press select button 2 to scroll to "C10".
- C10 - Configuration Switch 10 - Bill Escrow Inhibit  
 This code is used to allow last bill that meets or exceeds maximum vend price to be held in escrow.  
 C10 0 will escrow bill and C10 1 will not escrow bill.  
 Press select button 4 and "C10 #" will be displayed, with the "#" flashing.  
 Press select button 2 or 3 to scroll between C10 0 and C10 1.  
 Press select button 4 with the display flashing the setting you wish to use to select that setting, or press select button 1 to return to "C10 #" and keep the original setting.  
 Press select button 2 to scroll to the next configuration code.  
 Press select button 1 to return to "CON".  
 Press select button 2 will scroll to next routine.

**\*"CCOC" - CORRECT CHANGE ONLY CONTROL ROUTINE**

This function is used to allow consumer overpay, set a correct change value, and set an unconditional acceptance value.

Press select button 4 will display "CON#" where # is the current setting of allow consumer overpay. Press select button 2 or 3 to scroll to "CCU" or "ACC".

- "CON#" - Allow Consumer Overpay  
 This function allows the vender to vend with the risk of not being able to return the full amount of change. This function has to be turned on "CON1" to use the value set in "ACC".  
 Press select button 4 and display will show "CON#" with the # flashing.  
 CON1 will allow consumer overpay (customer could potentially be shortchanged) and CON0 will not allow consumer overpay (will not allow customer to be shortchanged).  
 Press select button 2 or 3 to scroll between CON0 and CON1.  
 Press select button 4 with the display flashing the setting you wish to use to select that setting, or press select button 1 to return to "C10 #" and keep the original setting.  
 Press select button 2 to scroll to "CCU".

- "CCU" - Correct Change Value  
 This is the function that the control board will use to set a value which will turn on the correct change indicator. **Note: The "CCU" must be equal to or greater than the "ACC".**

Note: If the value set is 00.00, the correct change indicator will never come on.  
 If the controller determines that it cannot return the exact amount of the correct change value or any value less than it then the indicator will be turned on.  
 Press select button 4 and the display will show "##.##" with leading zeros not being displayed.  
 Press select button 2 or 3 to scroll from .00 to 99.99.  
 Press select button 4 with the display showing the value you wish to use to accept that value, or select button 1 to keep the original value displayed. Display will return to "CCU"  
 Press select button 2 to scroll to "ACC".

"ACC" - Unconditional Acceptance Value  
 This is the function that the control board will use to set the largest value of any single form of currency (coin or bill) that can be accepted. . **Note: if "ACC" is set to a value greater than "CCU" the "CCU" value will be automatically set equal to the "ACC" value.**  
 Press select button 4 and the display will show "##.##" with leading zeros not being displayed.  
 Press select button 2 or 3 to scroll from .00 to 99.99.  
 Press select button 4 with the display showing the value you wish to use to accept that value, or select button 1 to keep the original value displayed. Display will return to "ACC".  
 Press select button 1 to return to "CCOC".  
 Press select button 2 to scroll to next routine.

### **\*"PREV" - PREVIEW DATA PASSWORD ROUTINE**

This function is used to enable viewing of cash collected, product sales, and error codes without opening the door. To view the data the 4 digit password (4-2-3-1) must be entered with the door closed. Once entered the "CASH", "SALE", "EROR", and "RTN" menus are available from the front of the vender. To view, follow instructions for cash counter routine, sales counter routines, error routine and return.

To change "PREV" password:

At "PREV" press select button 4, "####" (representing current four digit password) will show on display with the far left digit blinking. Press select button 2 or 3 to scroll to number desired for password. Press select button 4 to accept the flashing digit. The next digit will start blinking, press select button 2 or 3 to scroll to number desired for password. Press select button 4 to accept the flashing digit. Continue this process until all 4 digits are set. Then press select button 4 and the display will return to "PREV" and the new password has been saved. Pressing select button 1 at anytime during this routine will return to "PREV" with no changes to password occurring.

Press select button 2 to scroll to next routine.

### **\*"LANG" - LANGUAGE**

This function is used to set the language that will be used for display messages. Note: This does not change the menu prompts.

Press select button 4 and the display will show the language currently set in the controller.  
 Press select button 2 or 3 to scroll through the languages available.

ENG - English	ITA - Italian	SLO - Slovene
FRN - French	PORT - Portuguese	FIN - Finnish
GER - German	ESP - Spanish	NOR - Norwegian

With the language you wish to enter showing on the display, press select button 4 and display will return to "LANG".. Pressing select button 1 at anytime during this routine will return to "LANG" with no changes to password occurring.

Press select button 2 to scroll to next routine.

### **\*"TIME" - TIME AND DATE SETTING ROUTINE**

This function is used to set the year, month, date, and hour (military 24 hour clock).  
 Press select button 4 and "ENB#" will show on display with # showing the current setting for the enable routine.

"ENB#" - Time and Date Enable Routine  
 Press select button 4 and # will flash.  
 Press select button 2 to scroll between ENB0 and ENB1.



Press select button 4 with the display showing the setting you wish to use and display will return to "ENB#".

Press select button 2 to scroll to "YEAR".

"YEAR" - Year Setting (2000 to 2099)

Press select button 4 and the current year setting will show on display.

Press select button 2 or 3 to change the year (2000 to 2099).

After pressing select button 4 to accept the year on the display, or select button 1 to keep the year originally displayed, the display will return to "YEAR".

Press select button 2 to scroll to "MTH".

"MTH" - Month Setting (01 to 12)

Press select button 4 and the current 2 digit month setting will show on display.

Press select button 2 or 3 to change the month (01 to 12).

After pressing select button 4 to accept the month on the display, or select button 1 to keep the month originally displayed, the display will return to "MTH".

Press select button 2 to scroll to "DATE".

"DATE" - Day of Month Setting (1 to 31)

Press select button 4 and the current 2 digit day of month setting will show on display.

Press select button 2 or 3 to change the day of month (1 to 31).

After pressing select button 4 to accept the date on the display, or select button 1 to keep the date originally displayed, the display will return to "DATE".

Press select button 2 to scroll to "HOUR".

"HOUR" - Hour and Minute Setting (0000 to 2359)

Press select button 4 and "hhmm" will be displayed, where "hh" is the hour (military time) and "mm" is the minute.

The hour setting will be blinking to indicate it can be changed. Press select button 2 or 3 to change the hour setting. Press select button 4 to save the hour setting and the minute setting will start blinking to indicate it can be changed. Press select button 2 or 3 to change the minute setting. Press select button 4 will save and return display to "HOUR".

Pressing select button 1 at anytime during this routine will return to "HOUR" with no changes to the hour or minute settings occurring.

Press select button 2 to scroll to "DST".

"DST" - Daylight Saving Time Setting

This function is used to set the preferred daylight savings time setting.

Press select button 4 will display the current setting.

Press select button 2 or 3 to scroll through the "DST" options listed:

"OFF", no daylight savings time changes made.

"AUS", Australian rules - Set forward 1 hour at 1:00 am on the first Sunday in October;

Set backward 1 hour at 1:00 am on the last Sunday in March.

"EU" European rules - Set forward 1 hour at 1:00 am on the last Sunday in March; Set

backward 1 hour at 1:00 am on the last Sunday in October.

"NA" North American rules - Set forward 1 hour at 2:00 am on the first Sunday in April;

Set backward 1 hour at 2:00 am on the last Sunday in October.

Press select button 4 with the display showing the setting you wish to use and display will return to "DST".

Pressing select button 1 at anytime during this routine will return to "DST" with no changes to the Daylight Savings Time settings occurring.

Press select button 1 to return to "TIME".

Press select button 2 to scroll to next routine.

**\*"LIT" – LIGHTING CONSERVATION CONTROL ROUTINE)**

This function is used to turn the lights off and on during certain periods of the day.

Press select button 4 will enter "ENB#" with the current ENB setting displayed.

ENB# - Lighting Conservation Control Enable Routine

This function is used to disable Lighting Conservation Control "ENB0" (lights will be on at all times) or enable Lighting Conservation Control "ENB1" (lights can be set to turn off).  
 Press select button 4 and the # will begin to flash.  
 Press select button 2 or 3 to scroll between "ENB0" and "ENB1".  
 Press select button 4 with the display showing the setting you wish to use and the display will return to a solid "ENB#".  
 Press select button 2 to scroll to "STRT".

**STRT - Start Lighting Conservation Setting (lights off)**  
 This function is used to set the days and time to start Light Conservation when "ENB 1" is selected.  
 Press select button 4 and "DAY" will show on the display.

**"DAY" - Day to Start Setting.**  
 This function is used to set the days of the week to start Light Conservation.  
 Press select button 4 and "xxx#" will show on the display, where xxx will be the day of the week (i.e. MON, TUE, WED, THU, FRI, SAT, SUN, ALL) and # is 0 = disable, 1 = enable. With the display showing the day you wish to set press select button 4. The # will start blinking. Press select button 2 or 3 to scroll between "xxx0" and "xxx1". Press select button 4 with the display showing the setting you wish to use. Display will return to "xxx#". Press select button 2 to scroll to the next day to set or press select button 1 to return to "DAY".  
 Press select button 2 to scroll to "HOUR".

**"HOUR" - Start Hour and Minute Setting**  
 This function is used to set the hours to start Light Conservation (lamps off).  
 Press select button 4 and "hhmm" will show on the display, where "hh" is the hour (military time) and "mm" is the minute. "hh" will be blinking, indicating the hour setting may be changed. Press select button 2 to scroll from 00 to 23. With the display showing the hour you wish to start Light Conservation, press select button 4. "mm" will start blinking, indicating the minute setting may be changed. Press select button 2 to scroll from 00 to 59. With the display showing the minute you wish to start Light Conservation, press select button 4. The display will return to "HOUR".  
 Press select button 1 to return to "STRT".  
 Press select button 2 to scroll to "STOP".

**"STOP" - Stop Light Conservation Setting (lights on)**  
 This function is used to set the days and time to stop Light Conservation.  
 Press select button 4 and "DAY" will show on the display.

**"DAY" - Day To Stop Setting**  
 This function is used to set the days of the week to stop Light Conservation and can be set in the same manner as Day to Start Setting.

**"HOUR" - Stop Hour and Minute Setting**  
 This function is used to set the hours and minutes to stop Light Conservation and can be set in the same manner as Start Hour and Minute Setting.  
 Press select button 1 to return to "STOP".  
 Press select button 1 to return to "LIT".  
 Press select button 2 to scroll to next routine.

### **\*"RFRG" – REFRIGERATION ROUTINE**

This function is used to electronically control the refrigeration operations of the vender. Press select button 4 will enter "ENB#" with # showing the current "ENB" setting.

**ENB# - Energy Conservation Enable Routine**  
 This function is used to disable Energy Conservation "ENB0" or enable Energy Conservation "ENB1". When enabled the cabinet temperature will be allowed to rise to the programmed storage level "STOR" during the following programmed time blocks.

Press select button 4 and the current "ENB#" setting (#) will start flashing.

Press select button 2 or 3 to scroll between "ENB0" and "ENB1".

Press select button 4 with the display showing the setting you wish to use and the display will return to a solid "ENB#".

Press select button 2 to scroll to "STRT".

"STRT" - Start Energy Conservation

This function is used to set the days and time to start Energy Conservation when "ENB1" is selected.

Press select button 4 and "DAY" will show on the display.

"DAY" - Day to Start Setting

**This function is used to set the days of the week to start Energy Conservation.**

Press select button 4 and "xxx#:" will show on the display, where xxx will be the day of the week (i.e. MON, TUE, WED, THU, FRI, SAT, SUN, ALL) and # is 0 = disable, 1 = enable. With the display showing the day you wish to set press select button 4.

The # will start blinking. Press select button 2 or 3 to scroll between "xxx0" and "xxx1". Press select button 4 with the display showing the setting you wish to use.

Display will return to "xxx#". Press select button 2 to scroll to the next day to set or press select button 1 to return to "DAY".

Press select button 2 to scroll to "HOUR".

"HOUR" - Start Hour and Minute Setting

**This function is used to set the hours to start Energy Conservation.**

Press select button 4 and "hhmm" will show on the display, where "hh" is the hour (military time) and "mm" is the minute. "hh" will be blinking, indicating the hour setting may be changed. Press select button 2 to scroll from 00 to 23. With the display showing the hour you wish to start Energy Conservation, press select button 4. "mm" will start blinking, indicating the minute setting may be changed. Press select button 2 to scroll from 00 to 59. With the display showing the minute you wish to start Energy Conservation, press select button 4. The display will return to "HOUR".

Press select button 1 to return to "STRT".

Press select button 2 to scroll to "STOP".

"STOP" - Stop Energy Conservation Setting

This function is used to set the days and time to stop Energy Conservation when "ENB1" is selected.

Press select button 4 and "DAY" will show on the display.

"DAY" - Day To Stop Setting

This function is used to set the days of the week to stop Energy Conservation and can be set in the same manner as Day to Start Setting.

"HOUR" - Stop Hour and Minute Setting

This function is used to set the hours and minutes to stop Energy Conservation and can be set in the same manner as Start Hour and Minute Setting.

Press select button 1 to return to "STOP".

Press select button 2 to scroll to "DEGX".

"DEGX" - Degree Fahrenheit / Celsius Setting Routine ( X is the current setting F or C)

This function is used to set the degree reading to Fahrenheit (DEGF) or Celsius (DEGC).

Press select button 4 and "DEGX", where the current setting (X) will be blinking. Press select button 2 or 3 to scroll between DEGF and DEGC.

Press select button 4 with the display showing the setting you wish to use and the display will return to a solid "DEGX", or press select button 1 to keep the original setting before returning to the solid "DEGX" display.

Press select button 2 to scroll to "SETP".

- "SETP" - Set Point Control Routine (Default Temperature 35<sup>0</sup>F / 1.5<sup>0</sup> C)  
 This function is used to set the average product temperature for initial pull down and reload recovery.  
 Press select button 4 and "tt.tx" will show on the display where x is F (Fahrenheit) or C (Celsius) and tt.t is the degrees.  
 Press select button 2 to increase or 3 to decrease the number by 1°F or 0.5°C. With the display showing the set point temperature you wish to use, press select button 4.  
 Pressing select button 1 while in this submenu will return to the "SETP" prompt and keep the original "SETP" setting.  
 Press select button 2 to scroll to "STOR".
- "STOR" - Storage Setting Routine (Default Temperature 60<sup>0</sup>F / 15.5<sup>0</sup> C)  
 This function is used to set the temperature for product storage and is used when Energy Conservation is enabled.  
 Press select button 4 and "tt.tx" will show on display when x is F (Fahrenheit) or C (Celsius) and tt.t is the degrees.  
 Press select button 2 to increase and 3 to decrease the number by 1°F or 0.5°C. With the display showing the storage setting you wish to use, press select button 4.  
 Pressing select button 1 while in this submenu will return to the "STOR" prompt and keep the original "STOR" setting.  
 Press select button 2 to scroll to "DSPX".
- "DSPX" - POS Temperature Display Enable Routine  
 This function is used to enable the POS Temperature to be displayed following the "ICE COLD COCA COLA" POS message.  
 Press select button 4 and "DSPX" will show on the display where x is the current setting. With "X" blinking, press select button 2 or 3 to scroll between "DSPO" disabled or not displayed and DSP1 enabled or displayed. With the display showing the setting you wish to use, press select button 4.  
 Press select button 1 to return to "RFRG".  
 Press select button 2 to scroll to next routine.

**\*"BLC1" - BLOCK SELECTION BANK 1 ROUTINE (CON 2 must be enabled - C2 1)**

This function is used to set selections which will be blocked during certain periods of the day.  
 Press select button 4 will enter "ENB#" with # being the current enable setting(0 or 1).

- "ENB#" - Blocking Enable Routine  
 This function is used to disable blocking "ENB0" or enable blocking "ENB1".  
 When enabled, active selections will not be allowed to vend on the days and times programmed.  
 Press select button 4 and the current ENB setting will flash.  
 Press select button 2 or 3 to scroll between "ENB0" and "ENB1".  
 Press select button 4 with the display showing the setting you wish to use.  
 Display will return to a solid "ENB#".  
 Press select button 2 to scroll to "STRT".
- "STRT" - Start Selection Blocking Routine  
 This function is used to set the day(s) and time to start selection blocking when blocking is enabled ("ENB1").  
 Press select button 4 and "DAY" will show on the display.
- "DAY" - Day of Week Start Setting  
 This function is used to set the day(s) of the week to start selection blocking.  
 Press select button 4 and "xxx#" will show on the display, where xxx will be the day of the week (i.e. MON, TUE, WED, THU, FRI, SAT, SUN, ALL) and # is 0 = disable, 1 = enable.  
 With the display showing the day you wish to set press select button 4.  
 The # will start blinking. Press select button 2 or 3 to scroll between "xxx0" and "xxx1."  
 Press select button 4 with the display showing the setting you wish to use.

Display will return to "xxx#".

Press select button 2 to scroll to the next day to set or press select button 1 to return to "DAY".

Press select button 2 to scroll to "HOUR".

"HOUR" - Start Hour and Minute Setting

This function is used to set the hours and minutes to start selection blocking.

Press select button 4 and "hhmm" will show on the display, where hh is the hour (military time) and mm is the minute. "hh" will be blinking, indicating the hour setting may be changed.

Press select button 2 to scroll from 00 to 23. With the display showing the hour you wish to start selection blocking, press select button 4. "mm" will then start blinking, indicating the minute setting may be changed.

Press select button 2 to scroll from 00 to 59. With the display showing the minute you wish to start selection blocking, press select button 4. The display will return to "HOUR".

Press select button 1 to return to "STRT".

Press select button 2 to scroll to "STOP".

"STOP" - Stop Selection Blocking Routine

This function is used to set the day(s) and times to stop selection blocking.

Press select button 4 and "DAY" will show on the display.

"DAY" - Day of Week Stop Setting

**This function is used to set the days of the week to stop selection blocking and can be set in the same manner as Day of Week Start Setting.**

"HOUR" - Stop Hour and Minute Setting

This function is used to set the hours and minutes to stop selection blocking and can be set in the same manner as Start Hour and Minute Setting.

Press select button 1 to return to "STOP".

Press select button 2 to scroll to "SEL".

"SEL" - Selection To Be Affected By Blocking

This function is used to set selection(s) which will be blocked during certain periods of the day.

Press select button 4 and XX# will be displayed, where XX is the selection number and # is the current setting for the selection number displayed. 0 = disabled, 1 = enabled.

Press select button 2 or 3 to scroll to the select button number setting you desire to change.

Press select button 4 with the select button number showing you wish to change (i.e. 01#) and the # will start flashing.

Press select button 2 or 3 to scroll between xx 0 and xx 1.

Press select button 4 with the display showing the setting you wish to use to save that setting.

Press select button 1 with the display flashing the enable setting will keep the original setting.

Display will return to a solid XX #.

Press select button 1 to return to "SEL".

Press select button 2 to scroll to "LITX".

"LITX" - Lighting / P.O.S. Display Control

This function is used to turn the lights (if supported) off during selection blocking period 1.

0 = disable or on; 1 = enable or off.

Press select button 4 and the "X" will start flashing.

Press select button 2 or 3 to scroll between "LIT0" and "LIT1".

Press select button 4 with the display showing the setting you wish to use to save the setting.

Press select button 1 with the display flashing the light setting will keep the original setting.

Display will return to "LITX".

Press select button 1 to return to "BLC1".

Press select button 2 to scroll to "BLC2".

**\*"BLC2" - BLOCK SELECTION BANK 2 ROUTINE (CON 2 must be enabled - C2 1)**

This function is a second set used to set selection(s) which will be blocked during certain periods of the day. Press select button 4 will enter "ENB#" with # being the current enable setting.

- "ENB#" - Blocking Enable Routine.  
Set this function using instruction for "ENB#" in "BLC1".
- "STRT" - Start Selection Blocking Routine  
This function is used to set the day(s) and times to start selection blocking.  
Press selection button 4 and "DAY" will show on the display.
- "DAY" - Day of Week Start Setting  
Set this feature using instructions for "BLC1" "STRT" "DAY".
- "HOUR" - Start Hour and Minute Setting  
Set this function using instructions for "BLC1" "HOUR" "DAY".
- "STOP" - Stop Selection Blocking Routine.  
This function is used to set the day(s) and times to stop selection blocking.  
Press select button 4 and "DAY" will show on the display.
- "DAY" - Day of Week Stop Setting  
Set this function using instructions for "BLC1" "STOP" "DAY".
- "HOUR" - Stop Hour and Minute Setting  
Set this function using instructions for "BLC1" "STOP" "HOUR".  
Press select button 1 to return to "STOP".  
Press select button 2 to scroll to "SEL".
- "SEL" - Selection To Be Affected By Blocking  
This function is used to set selection(s) which will be blocked during certain periods of the day.  
Set this function using instructions for "BLC1" "SEL".  
Press select button 1 to return to "SEL".  
Press select button 2 to scroll to "LITX".
- "LITX" - Lighting / P.O.S. Display Control  
This function is used to turn the lights (if supported) off during selection blocking period 2.  
Set this function using instructions for "BLC1" "LIT".  
Press select button 1 to return to "BLC2".  
Press select button 2 to scroll to "DISC".

**\*"DISC" - DISCOUNT SETTING ROUTINE (CON 2 must be enabled - C2 1)**

This function is used to set the day(s) and times to allow discount prices. Press select button 4 will enter "ENB#" with # being the current enable setting.

- "ENB#" - Discount Setting Enable Routine  
This function is used to disable discounting "ENB0" or enable discounting "ENB1".  
Press select button 4 and the current ENB setting will flash.  
Press select button 2 or 3 to scroll between "ENB0" and "ENB1".  
Press select button 4 with the display showing the setting you wish to use.  
Display will return to a solid "ENB#".  
Press select button 2 to scroll to "STRT".
- "STRT" - Start Discount Pricing  
This function is used to set the day(s) and times to start discount prices.  
Press select button 4 and "DAY" will show on the display.
- "DAY" - Day of the Week Start Setting  
Set this feature using instructions for "BLC1" "STRT" "DAY".

- "**HOURL**" - Start Hour and Minute Settings  
Set this feature using instructions for "**BLC1**" "**STRT**" "**HOURL**".
- "**STOP**" - Stop Discount Pricing  
This function is used to set the day(s) and times to stop discount prices.  
Press select button 4 and "**DAY**" will show on the display.
- "**DAY**" - Day to Stop Setting  
Set this feature using instructions for "**BLC1**" "**STOP**" "**DAY**".
- "**HOURL**" - Stop Hour and Minute Setting  
Set this function using instructions for "**BLC1**" "**STOP**" "**HOURL**".
- "**SEL**" - Selection Affected by Discount Pricing  
This function is used to set selection(s) which will be affected by discount prices.  
Press select button 4 and "**XX#**" will be displayed, where **XX** is the selection number and **#** is the current setting for the selection number displayed. 0 = disabled, 1 = enabled.  
Press select button 2 or 3 to scroll to the select button number you desire to change.  
Press select button 4 with the select button number showing you wish to change (i.e.01#) and the **#** will start flashing.  
Press select button 2 or 3 to scroll between "**XX 0**" and "**XX 1**".  
Press select button 4 with the display showing the setting you wish to use to save that setting.  
Press select button 1 with the display flashing the enable setting will keep the original setting.  
Display will return to a solid **XX #**.  
Press select button 1 to return to "**SEL**".  
Press select button 2 to scroll to "**LESS**".
- "**LESS**" - Discount Amount  
This function is used to set the amount the price will be decreased for selection(s) and times set. Press select button 4 and "**##.##**" will be displayed, where "**##.##**" is the current discount that is set. Press select button 2 or 3 to change the discount amount(.00 to 99.99).  
Press select button 4 with the display showing the discount setting you wish to use to save that setting.  
Press select button 1 with the display showing the discount setting will keep the original setting.  
Display will show "**LESS**".  
Press select button 1 to return to "**DISC**".  
Press select button 2 to scroll to "**OVER**".

**"OVER" - MANUAL SWITCH OVER-RIDE ROUTINE (CON 2 must be enabled - C2 1)**

This function is used to allow a key switch to over-ride some of the settings stored for normal operations. This function can be programmed to control one or several of the following features: Free Vend Enable, Vend Enable, Selection Blocking, Discount Pricing, Lighting Control and Refrigeration Control.  
Press select button 4 and the display will show "**FRE#**".  
Press select button 2 or 3 to scroll through the over-ride routines available.  
Press select button 1 to return to "**OVER**".

- "**FRE#**" - Free Vend Enable Routine  
This function is used to set the vender to Free Vend. 0 = disable, 1 = enable.  
Press select button 4 and "**#**" will start flashing.  
Press select button 2 or 3 to scroll between "**FRE0**" and "**FRE1**".  
Press select button 4 with the display showing the setting you wish to use to save that setting.  
Press select button 1 with the display showing the Free Vend setting will keep the original setting.  
Display will return to "**FRE#**".  
Press select button 2 to scroll to "**UND#**".
- "**VND#**" - Vend Enable Routine  
This function is used to set the vender to Override Vending. 0 = disable (allow Vending), 1 =

enable (don't allow Vending).  
 Press select button 4 and "#" will start flashing.  
 Press select button 2 or 3 to scroll between "UNDO" and "UND1".  
 Press select button 4 with the display showing the setting you wish to use to save that setting.  
 Press select button 1 with the display showing the Vend Override setting will keep the original setting.  
 Display will return to "UND#".  
 Press select button 2 to scroll to "BLC#".

- "BLC#" - Selection Blocking Over-ride Routine  
 This function is used to over-ride "BLC1" and "BLC2" if they are being used. "BLC0" is disabled (allow BLC1 and BLC2), "BLC1" is enabled(don't allow BLC1 and BLC2).  
 Press select button 4 and "#" will start flashing.  
 Press select button 2 or 3 to scroll between "BLC0" and "BLC1".  
 Press select button 4 with the display showing the setting you wish to use to save that setting.  
 Press select button 1 with the display showing the Blocking Override setting will keep the original setting.  
 Display will return to "BLC#".  
 Press select button 2 to scroll to "DSC#".
- "DSC#" - Discounting Over-ride Routine  
 This function is used to over-ride "DISC" if it is being used. "DISC0" is disabled (allow Discounting) and "DISC1" is Enabled( don't allow Discounting).  
 Press select button 4 and "#" will start flashing.  
 Press select button 2 or 3 to scroll between "DSC0" and "DSC1"  
 Press select button 4 with the display showing the setting you wish to use to save that setting.  
 Press select button 1 with the display showing the Discounting Override setting will keep the original setting.  
 Display will return to "DSC#".  
 Press select button 2 to scroll to "LIT#".
- "LIT#" - Lighting Control Over-ride Routine  
 This function is used to over-ride "LIT" if it is being used. "LIT0" is disabled (allow Lighting Control) and "LIT1" is enabled (don't allow Lighting Control).  
 Press select button 4 and "#" will start flashing.  
 Press select button 2 or 3 to scroll between "LIT0" and "LIT1".  
 Press select button 4 with the display showing the setting you wish to use to save that setting.  
 Press select button 1 with the display showing the Lighting Control Override setting will keep the original setting.  
 Display will return to "LIT#".
- Press select button 2 to scroll to " FRG#".
- "FRG#" - Refrigeration Control Over-ride Routine  
 This function is used to over-ride "RFRG" if it is being used. "FRG0" is disabled (allow Refrigeration Control) and "FRG1" is enabled (don't allow Refrigeration Control).  
 Press select button 4 and "#" will start flashing.  
 Press select button 2 or 3 to scroll between "FRG0" and "FRG1".  
 Press select button 4 with the display showing the setting you wish to use to save that setting.  
 Press select button 1 with the display showing the Refrigeration Control Override setting will keep the original setting.  
 Display will return to "FRG#".  
 Press select button 1 to return to "OVER".  
 Press select button 2 to scroll to "SDEP".



**"SDEP" - SET COLUMN DEPTH ROUTINE (CON 2 must be enabled – "C2 1" – This must be set before setting package type to "CUSTOM")**

This function is used to set the product depth for the selected column.

Press select button 4 and the display will show "XX #" where XX is the column number and # is the product depth for that column..

Press select button 4 and the # (depth) will flash.

Press select button 2 or 3 to set the product depth(1 – 5).

Press select button 4 to accept the displayed depth, or select button 1 to keep the original depth.

Press select button 2 or 3 to scroll through the columns available.

Repeat setting the depth for remaining columns.

Press select button 1 to return to "SDEP".

Press select button 2 to scroll to "RVND".

**\*"RVND" - REMOTE VEND MECHANISM ROUTINE**

This function is used to set the day(s) and times to activate the vend operation in a satellite vending device.

Press select button 4 will enter " STRT".

"STRT" - Start Satellite Vending Operation

This function is used to set the day(s) and times to start satellite vending.

Press select button 4 and "DAY" will show on the display.

"DAY" - Day of Week Start Setting

This function is used to set the day(s) of the week to start satellite vending.

Press select button 4 and "xxx#" will show on the display, where xxx will be the day of the week (i.e. MON, TUE, WED, THU, FRI, SAT, SUN, ALL) and # is 0 = disable, 1 = enable.

With the display showing the day you wish to set press select button 4.

The # will start blinking. Press select button 2 or 3 to scroll between "xxx0" and "xxx1."

Press select button 4 with the display showing the setting you wish to use.

Display will return to "xxx#".

Press select button 2 to scroll to the next day to set or press select button 1 to return to "DAY".

Press select button 2 to scroll to "HOUR".

"HOUR" - Start Hour and Minute Setting

This function is used to set the hours and minutes to start satellite vending.

Press select button 4 and "hhmm" will show on the display, where hh is the hour (military time) and mm is the minute. "hh" will be blinking, indicating the hour setting may be changed.

Press select button 2 to scroll from 00 to 23. With the display showing the hour you wish to start selection blocking, press select button 4. "mm" will then start blinking, indicating the minute setting may be changed.

Press select button 2 to scroll from 00 to 59. With the display showing the minute you wish to start selection blocking, press select button 4. The display will return to "HOUR".

Press select button 1 to return to "STRT".

Press select button 2 to scroll to "STOP".

"STOP" - Stop Satellite Vending Operation

This function is used to set the day(s) and times to stop satellite vending.

Press select button 4 and "DAY" will show on the display.

"DAY" - Day of Week Stop Setting

**This function is used to set the days of the week to stop satellite vending and can be set in the same manner as Day of Week Start Setting.**

"HOUR" - Stop Hour and Minute Setting

This function is used to set the hours and minutes to stop satellite vending and can be set in the same manner as Start Hour and Minute Setting.

Press select button 1 to return to "STOP".

Press select button 2 to scroll to "SEL".

- "SEL" - Selection To Be Affected By Satellite Vending  
 This function is used to set selection(s) which will be cause a satellite vending operation during certain periods of the day.  
 Press select button 4 and XX# will be displayed, where XX is the selection number and # is the current setting for the selection number displayed. 0 = disabled, 1 = enabled.  
 Press select button 2 or 3 to scroll to the select button number setting you desire to change.  
 Press select button 4 with the select button number showing you wish to change (i.e. 01#) and the # will start flashing.  
 Press select button 2 or 3 to scroll between xx 0 and xx 1.  
 Press select button 4 with the display showing the setting you wish to use to save that setting.  
 Press select button 1 with the display flashing the enable setting will keep the original setting.  
 Display will return to a solid XX #.  
 Press select button 1 to return to "SEL".  
 Press select button 2 to scroll to "RATE".
- " RATE " - Satellite Vend Rate  
 This function is used to set the number of vends from the programmed selection that will occur before a satellite vend operation is done( rate = 3, every third vend from a programmed selection will cause a satellite vend to be done).  
 Press select button 4 and "XXX" will be displayed, where "XXX" is the current satellite vend rate. Press select button 2 or 3 to change the vend rate(0 – 255, a vend rate of 0 will disable the remote vend operation).  
 Press select button 4 with the display showing the vend rate setting you wish to use to save that setting.  
 Press select button 1 with the display showing the vend rate setting will keep the original setting.  
 Display will show "RATE"..  
 Press select button 1 to return to "RVND".  
 Press select button 2 to scroll to "PACG".

#### **\*"PACG" - PACKAGE TYPE SETTING ROUTINE**

This function is used to set the package type for any or all columns in the vending machine.

Press select button 4 will enter " XX #", where XX is the column number and # is the current package type.

Press select button 2 or 3 to scroll through the column numbers or "ALL" for all columns

Press select button 4 and # will flash allowing the package type to be selected.

Press select button 2 or 3 to scroll through the package types (1 – 5 or "C" for custom).

Press select button 4 to accept the displayed package type or select button 1 to keep the current package type. If package type is "1" through "5" go to ""SAVE" will be displayed" instructions.

#### **"ANGL" - CUSTOM ANGLE SETTING ROUTINE**

If Custom package type is selected "ANGL" is displayed. Press select button 1 to exit without setting angles, or select button 4 to enter angle setting routine.

"1" is displayed for product position 1. Select buttons 2 and 3 will scroll up or down through the product depth set for that column in the "SDEP" menu. **IF "SDEP" ISN'T SET BEFORE SETTING A CUSTOM PACKAGE TYPE, THE DEPTH WILL DEFAULT TO THE DEPTH FOR THE LAST PACKAGE TYPE.**

**Press select button 4 at the position prompt and "Hxxx" will be displayed with the xxx flashing, this is the hold angle for the product position last displayed**

Press select button 2 or 3 to scroll the hold angle setting up or down (0 – 359). Press select button 4 to accept the displayed angle.

"Vxxx" will be displayed, this is the vend angle for the last product position displayed.

Press select button 2 or 3 to scroll the vend angle setting up or down (0 – 359). Press select button 4 to accept the displayed angle.

Press select button 1 after the angles have been set for all the product positions.

**COMMON PACKAGE SETTING INSTRUCTIONS RESUME HERE**

"SAVE" will be displayed.

Press select button 1 to keep the current package type and "XX #" will be displayed.

Press select button 4 to save the package type selected and "PRM# " will be displayed, where # is the column to prime.

Press select button 1 to bypass the prime operation and return to the "XX #" display.

Press select button 4 to prime the indicated column. "PRM" will be displayed while the column is being primed.

"XX #" will be displayed.

Press select button 1 to return to " PACG ".

Press select button 2 to scroll to "RTN".

**"RTN" - RETURN TO SALES MODE**

Press select button 4 will exit Service Mode and return to Sales Mode.

**P SERIES SBC QUICK REFERENCE MENU PROMPTS**

Main Menu	Sub-Menu	Sub-Sub-Menu	Main Menu	Sub-Menu	Sub-Sub-Menu		
EROR – Error	VEND – Vend Mech Error	CJ# - Column Jam #	TEST con't.	DSP – Dislay	CNP# - Compressor		
		CS – Chute Sensor failure		RELY - Relay		FAN# - Evaporator Fans	
		HS – Home Sense Error				LIT# - Sign Lights	
	CTRL – Control System Error	DS – Door Switch open			PASS – Password		
		RAM – Check sum error			CASH – Cash Counter	CASH/####/##.##	
		ACLO – AC supply low				CA#####/##.##	
		SF – Peripheral scaling factor			SALE – Sales Counter	SALE/####/##.##	
		SEL – Select Switch Error		SL#		SL#####/##.##	
		STS _ Space to Sales Error		UA# - Column not assigned			
	CHAR – Changer Error	CC – No communication			PRICE – Price Setting		
		TS – Tube Sensor error			STS – Space to Sales	OPT1 thru 6	
		IC – Inlet chute blocked				CSTS – custom	
		TJ## - Tube jam error			CON	C1 – Multi price	
		CRCH – Changer ROM error				C2 – Optional	
		EE – Excessive escrow attempts				C3 – POS Message	
		NJ – Coin Jam				C4 – Auto View Sales	
		LA – Low coin acceptance				C5 – Door Sw. Reset	
		DIS – Acceptor unplugged				C6 – RESERVED	
		ROUT – Coin mis-routed				C7 – Save credit	
		BUAL – Bill Validator Error		BC – No communication		C8 – Force Vend	
				BFUL – Stacker Full		C9 – Multi vend	
				BILL – Defective motor		C10 – Bill escrow	
				BJ – Bill jam		Con# - Consumer overpay	
				BRCH – Check Sum Error		CCU – Correct Change value	
		BOPN – Stacker open			ACC – Uncondition Acceptance		
		BS – Sensor error					
	CRDR – Card Reader Error	CRC – No communication			PREV – Preview Data Password		
	CRXY – Failed card reader		LANG - Language				
S-D – Display Device Error	SDC – No communication		TIME – Time/Date				
	SDXX – error code number XX		LIT – Light Conservation				
RFRG – Refrigeration Error	SENS – Temp sensor error		RFRG – Refrigeration				
	COLD – below lower limit		BLC1 – Block Selection Bank 1				
	HOT – above upper limit		BLC2 – Block Selection Bank 2				
	CNPR – not cooling		DISC – Discount Setting				
CPO – Coin Payout			OVER – Manual Switch Override				
TUFL – Tube Fill			SDEP – Set Column Depth				
TEST - Test	VEND – Motor test		RVND – Remote Vend				
	JOG – Jog or Prime column		PACG – Package Type Setting	ANGL – Custom angle set	H### - hold angle		
	SL – Select switch				V### - vend angle		
	SO – Sold out test	C# 1 - Column sold out			SAVE		
		C# 0 – Column not sold out	RTN - Return				
			(AUTO) Auto test				
			(RTN) Return				

**Select Button 1:** Abort/Cancel (will return to previous menu prompt or to normal door open mode).

**Select Button 2:** Scroll up (forward in menu).      **Select Button 3:** Scroll down (backward in menu).

**Select Button 4:** Enter/Save/Clear (allows you to enter a specific prompt, save what you have programmed, or clear the error prompts).

**Setting The Vender Type****NORMAL MODE:**

Note: If "COLS" "" appears on the display on power up with the door open, you will need to program the vender model number in the controller. To program with "COLS" on the display press select button 4. The display will show "6" for six columns. Press select button 2 to scroll through available number of columns in the machine. When the displayed number of columns matches the number of columns in the machine, press select button 4 to set the number of columns. "MODL" will appear on the display, press select button 4. The display will show the first available model number for the current vender type. Press select button 2 to scroll through the available vender model numbers for this vender. When the vender type you wish to save is showing on the display, press select button 4. The display will scroll "4 = SET PACKAGE TYPE; 1 = EXIT". Press select button 4 and the display will show "ALL2" with the 2 flashing. This will allow you to set the package type of the machine if it is different that the default of package type 2. Press select button 2 to scroll through the available package types. Press select button 4 to set the displayed package type, and the display will show "SAVE". Press button 4 to save the package type. "PRM1" will appear on the display. Press button 4 to prime column 1 or select button 1 to skip priming column 1. The display will then display "PRM2". Repeat the priming process until all columns have been primed or skipped. The controller will return to normal door open operating mode.

The following are Non-Coca-Cola model numbers:

**6 column machines**

DN552-5,  
DN552-6,  
DN552-7,

**7 column machines**

DN532-5,  
DN532-6,  
DN532-7,

**8 column machines**

DN756-7,  
DN756-8,  
DN756-9,  
DN756-10,  
DN756-11,  
DN756-12,  
DN756-13,  
DN756HV -12,

**10 column machines**

DN760-9,  
DN760-10,  
DN760-11,  
DN760-12,  
DN760-13,  
DN760HV -12,  
DN760-13,

The following are Coca-Cola model numbers:

**6 column machines**

DN552-5,  
DN552-6,  
DN552-7,  
DN552-8,

**7 column machines**

DN532-5,  
DN532-6,  
DN532-7,  
DN532-8,

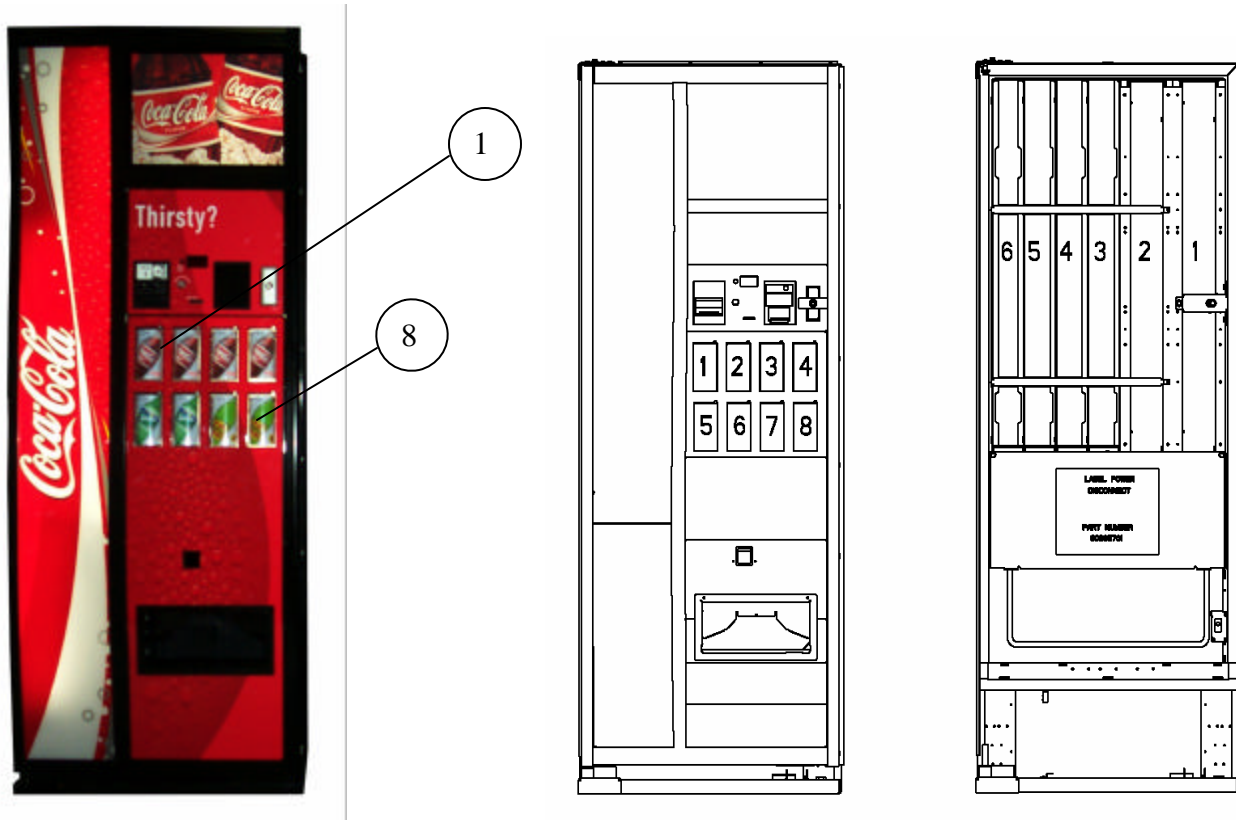
**8 column machines**

DN756-7,  
DN756-8,  
DN756-9,  
DN756-10,  
DN756-11,  
DN756-12,  
DN756-13,

**10 column machines**

DN760-9,  
DN760-10,  
DN760-11,  
DN760-12,

**Factory Default Setting**



Selection #	Column #
1	1
2	1
3	2
4	2
5	3
6	4
7	5
8	6

Selection #	Column #
1	1
2	1
3	2
4	2
5	3
6	3
7	4
8	4
9	5
10	6
11	7
12	8

The most important facets of proper vender care and maintenance are the electrical power supplied to it, leveling, and cleanliness of the machine and its components.

**POWER**

The vender must be connected to a dedicated 120VAC, 15 Amp circuit (U.S. and Canada). Refer to the cabinet serial number plate to determine the proper voltage and frequency the machine requires.

**CAUTION:**

REMOVE POWER TO THE VENDER PRIOR TO CONNECTING / DISCONNECTING ANY ELECTRICAL COMPONENTS FOR TESTING OR REPLACEMENT.

Ensure there is no power to the AC Distribution Box. On Venders with a main power switch on the AC Distribution Box the switch must be in the "OFF" position.

Check that all connectors are firmly seated on the control board and at the various components on the main door.

**CLEANING & MAINTENANCE**



DO NOT USE A WATER JET OR NOZZLE TO CLEAN THE VENDER

**SIGN FACE**

The polycarbonate sign face requires proper cleaning to prolong its service life. Periodically clean the sign as follows:

1. Rinse the sign with a soft cloth or sponge soaked in warm water.
2. If necessary, use a mild soap to loosen any dirt or grime. DO NOT SCRUB or use a brush or squeegee. Scrubbing may cause damage to signs with a clear ultraviolet resistant coating (prevents yellowing).
3. Repeat the above steps as necessary. To prevent spotting, dry the sign using a soft cloth.

**CABINET**

1. Wash the cabinet with a good detergent or soap mixed with warm water.
2. Wax the vender often with a good grade of automobile wax.

3. Any corrosion inside of the vender should be removed with a fine steel wool and the area should be painted with aluminum paint.
4. Repair any scratches on painted surfaces to prevent corrosion.

**DRAIN PAN**

1. Check the drain pan periodically for dirt, debris, and proper alignment. Clean as needed
2. Ensure nothing obstructs the drain tube and drain hose.

**DOOR**

The machine is designed with an energy efficient T8 Lighting System. To ensure continued reliable operation, replace only with the same type and size lamps. Lamps must be properly installed and seated in the lamp holders.



THE COMPRESSOR ELECTRICAL CIRCUIT IS ALWAYS LIVE WHEN THE PLUG IS CONNECTED TO AN ELECTRICAL OUTLET

**REFRIGERATION CONDENSER**

- Check the condenser periodically for dirt or lint build-up.
- Remove build-up with a brush or vacuum, or blow the dirt out of the condenser with compressed air and an approved safety nozzle.
- Ensure nothing obstructs the air intake at the bottom of the main door.
- Ensure nothing obstructs the air exhaust at the rear of the cabinet.

**COIN ACCEPTOR**

- Follow the coin acceptor manufacturer's cleaning instructions.

**LUBRICATING THE VENDER**

Time	Component	Lubricant Example
Every 6 months (or as needed)	<b>Main Door</b>	
	1. Lock Bolt & Nut Retainer 2. Hinge Pivot Points	Mechanics Friend Mechanics Friend
Every Year (or as needed)	<b>Inner Door</b>	
	1. Hinge Pivot Points <b>Inner Door</b> 1. Door Gasket	Mechanics Friend Petroleum Jelly

***EPROM REPLACEMENT***

Software changes / upgrades are accomplished by changing the EPROM on the Control Board.

## Single Board Controller (SBC) Software Update Procedure

This document describes how to update software on the Single Board Controller (SBC). **Note:** All existing software revisions, except software version 804,919,770.01, will automatically update the software revision 804,919,870.01 or higher upon installation. For SBC boards using 804,919,770.01 software menu programming is required to manually update the software.

**Important:** EPROM's containing software is sensitive to Electrostatic Discharge (ESD). Failure to handle the EPROM carefully could cause damage, which may result in a failed Single Board Controller (SBC).

**ALWAYS KEEP THE EPROM IN THE ESD TUBE. GROUND YOURSELF ON THE VENDER CABINET BEFORE REMOVING THE EPROM FROM THE ESD TUBE OR CONTROL BOARD. AN EPROM CAN BE USED TO PROGRAM MANY VENDERS, AS LONG AS CARE IS TAKEN NOT TO DAMMAGE THE EPROMS LEGS.**

**ALWAYS TURN POWER OFF BEFORE REMOVING OR INSTALLING EPROMS IN THE CONTROL BOARD.**

**Note:** Use the SBC programming manual to program a vender that has a Single Board Controller (SBC) installed.

I. EPROM removal

- Power down the Vender. **Ground yourself on the vender cabinet before removing the EPROM from the ESD tube or control board.**
- If the EPROM is present in the SBC, remove the existing EPROM from the SBC.
  - Note: An EPROM does not need to be in the board after the SBC has been programmed. The EPROM can be used to reprogram other boards.
- Verify the pins of the new EPROM are not bent before installing in the EPROM socket.
- Install the new EPROM in the EPROM socket. Ensure the EPROM is oriented correctly with its reference marker (locator) in the same direction as the reference marker (locator) of the EPROM socket. Do not rely on the EPROM label for orientating the EPROM. See Figure 1.

II. Automatic Reprogramming (all software revisions **except** 804,919,770.01)

- Turn power on to Vender. When auto-updating, the display will remain blank while the red LED on the board blinks rapidly for 3-4 seconds. Verify the new software version is shown on the display. If the new software version (the software version of the newly installed EPROM) displays, the SBC software has been successfully updated. If not, verify the EPROM is seated properly, with the reference marker oriented correctly and follow instructions for manual update if updating from 804,919,770.01. If problems still exist, contact the Dixie-Narco Technical Service Department.

**Note:** To remove the EPROM after programming is complete turn power off, **ground yourself on the vender cabinet before removing the EPROM**, remove the EPROM, turn power on, test vender for proper operation.

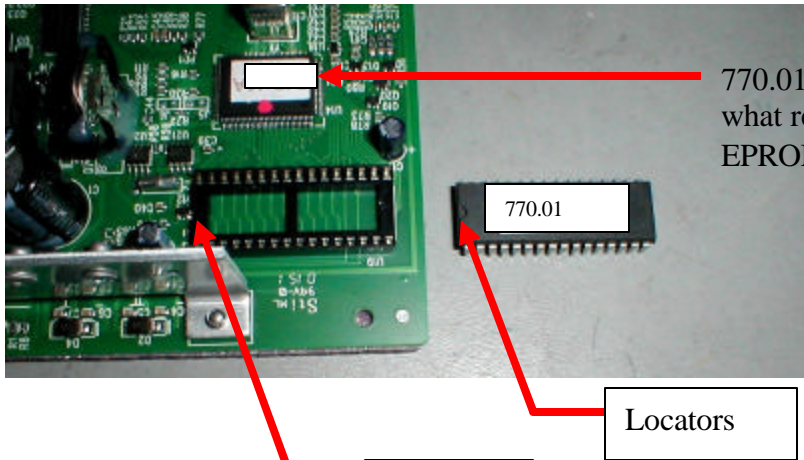
III. Manual Reprogramming (all 804,919,770.01 or if an EPROM does not automatically reprogram the SBC)

- At power up, the current software version will be displayed. To manually program the control board with the new software, press the blue service switch on the SBC to enter the service menu. Advance to the "Auto Test" menu by holding buttons 1 & 2 simultaneously. Enter Auto Test by pressing button 1, and advance to the "Reprogramming Microprocessor" submenu by holding buttons 1 & 2 simultaneously.
- At the "Reprogramming Microprocessor" prompt, press button 1. "THIS OPERATION REPROGRAMS VENDOR" shows on the display. Press button 1 at this prompt. Next display will show "BUTTON 2 = REPROGRAM, BUTTON 3 = EXIT".
- Press button 2 to reprogram vender with the new software. "Reprogramming Vendor..." displays while the red LED on the board blinks rapidly for 3-4 seconds. Verify the new software version, and previous settings return to the display. If the new software version (the software version of



the newly installed EPROM) shows on the display, the SBC software has been successfully updated.

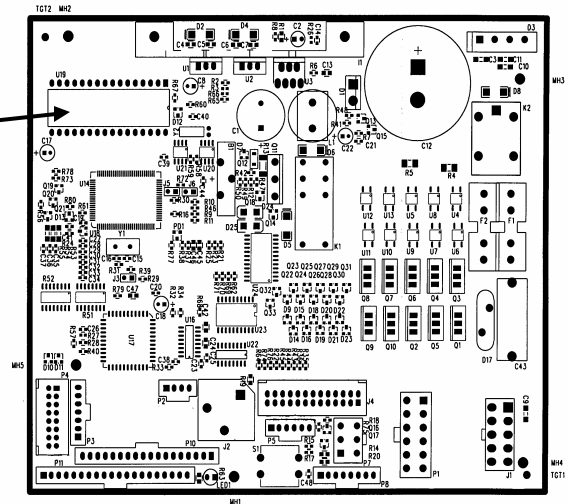
**Note:** To remove the EPROM after programming is complete, remove power to the vender, **ground yourself on the vender cabinet before removing the EPROM**, remove the EPROM, while still grounded install a label on the microprocessor showing the revision of software that is installed in the SBC, power the vender back on and test for proper operation.



770.01 Label on microprocessor to show what revision of software is in SBC if EPROM is removed after reprogramming.

Figure 1

Figure 1 – EPROM REPLACEMENT (SAMPLE BOARD SHOWN)

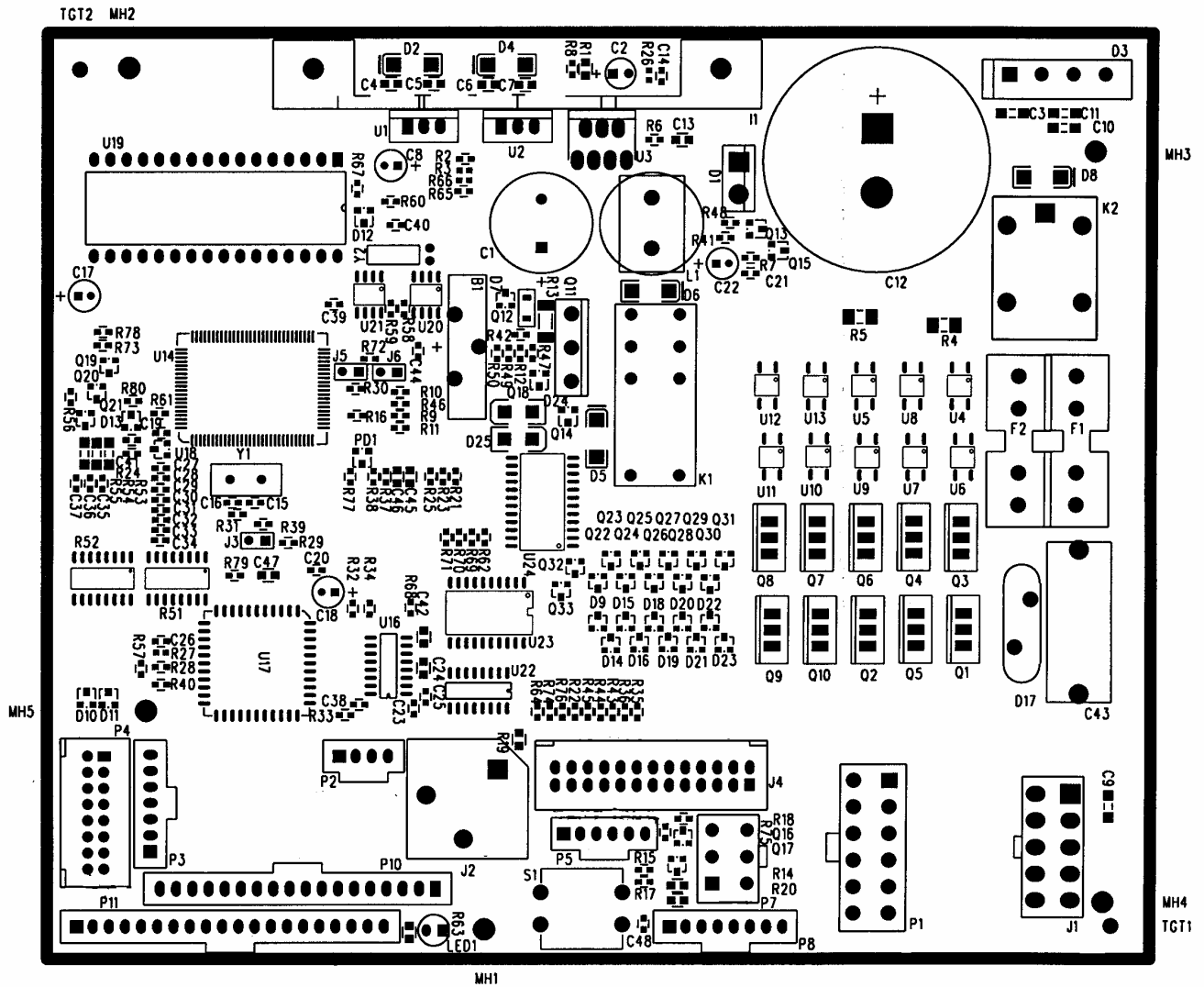


***ELECTRICAL***

Transformer	Provides 24 volt and 12 volt power to the Machine Controller
Fuse (F1)	1.6 Amp Slo Blo Control Board Power (includes display and MDB Peripherals)
Fuse (F2)	6 Amp Slo Blo Motor Power Fuse
Relay	Potter & Brumfield T91P5D52-24 240 VAC / 20 A-NO / 10A - NC
Choke	Foster A-16015 5MH 6A

***REFRIGERATION***

115 VAC	
Compressor	Embraco, 1/3 HP, 115 VAC, 60 Hz 1 Phase Unit uses 9.0 oz. of 134A Refrigerant
Start Relay	115 VAC, 1.351.605
Start Capacitor	115 VAC 233-280 MFO / 165V
Thermal Overload	115 VAC MRT 22AF2-5598
Condenser Fan	16W Motor 115 VAC 5KSM81FFL 3022T Blade – 8-3/4" dia.
Evaporator Fan	6.5W Motor 115 VAC OSM 2045X1 Blade – 6" dia.



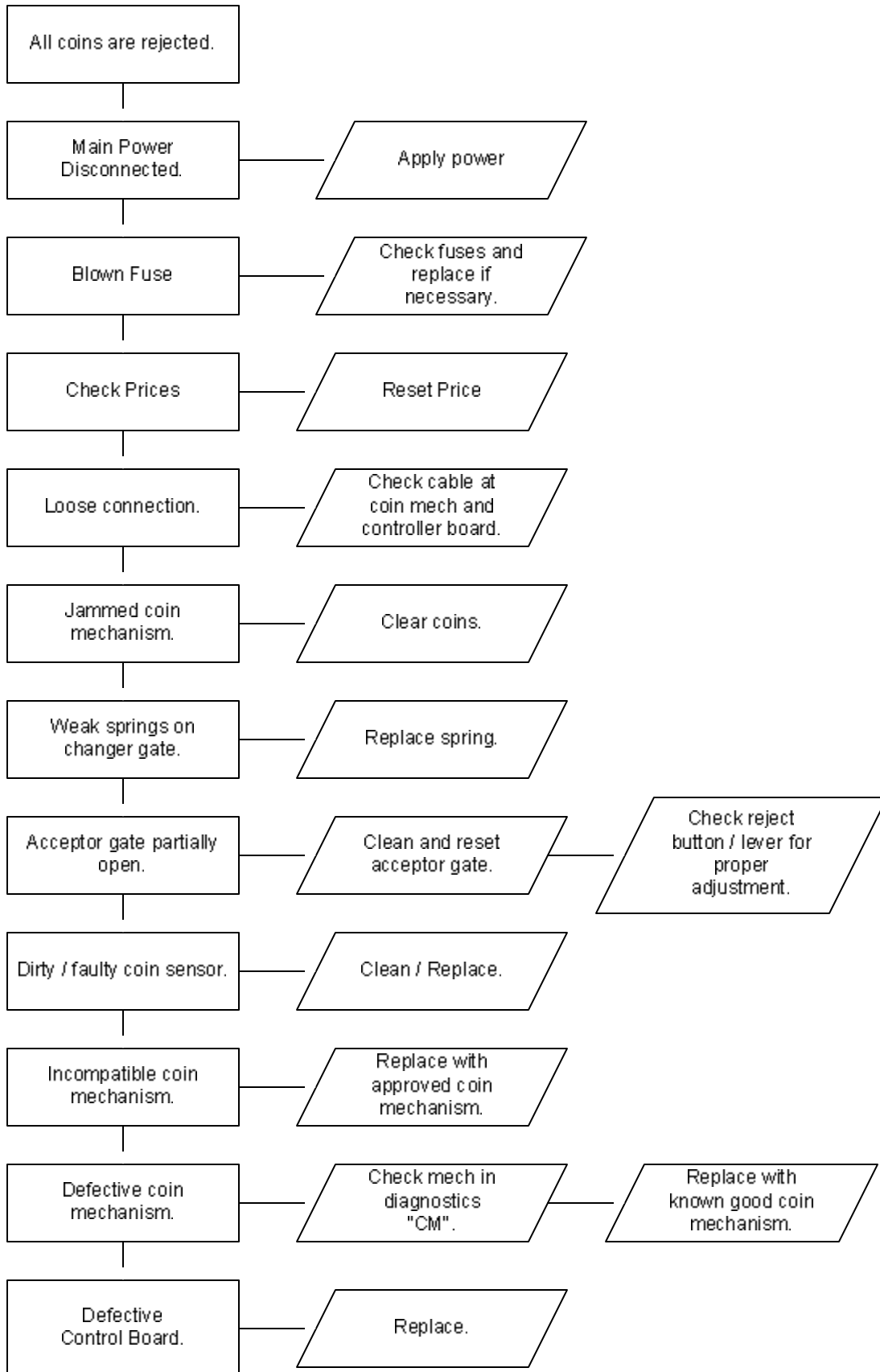
SBC CONTROL BOARD

- P1 Motor
- P2 Secondary DEX
- P3 Display
- P4 Select Switches
- P5 Temp Sensor
- P7 MDB
- P8 Energy Management
- P10 Sold Out LED's
- P11 Ready to Vend
- J1 AC Power
- J2 DEX
- B1 Battery
- S1 Service Switch

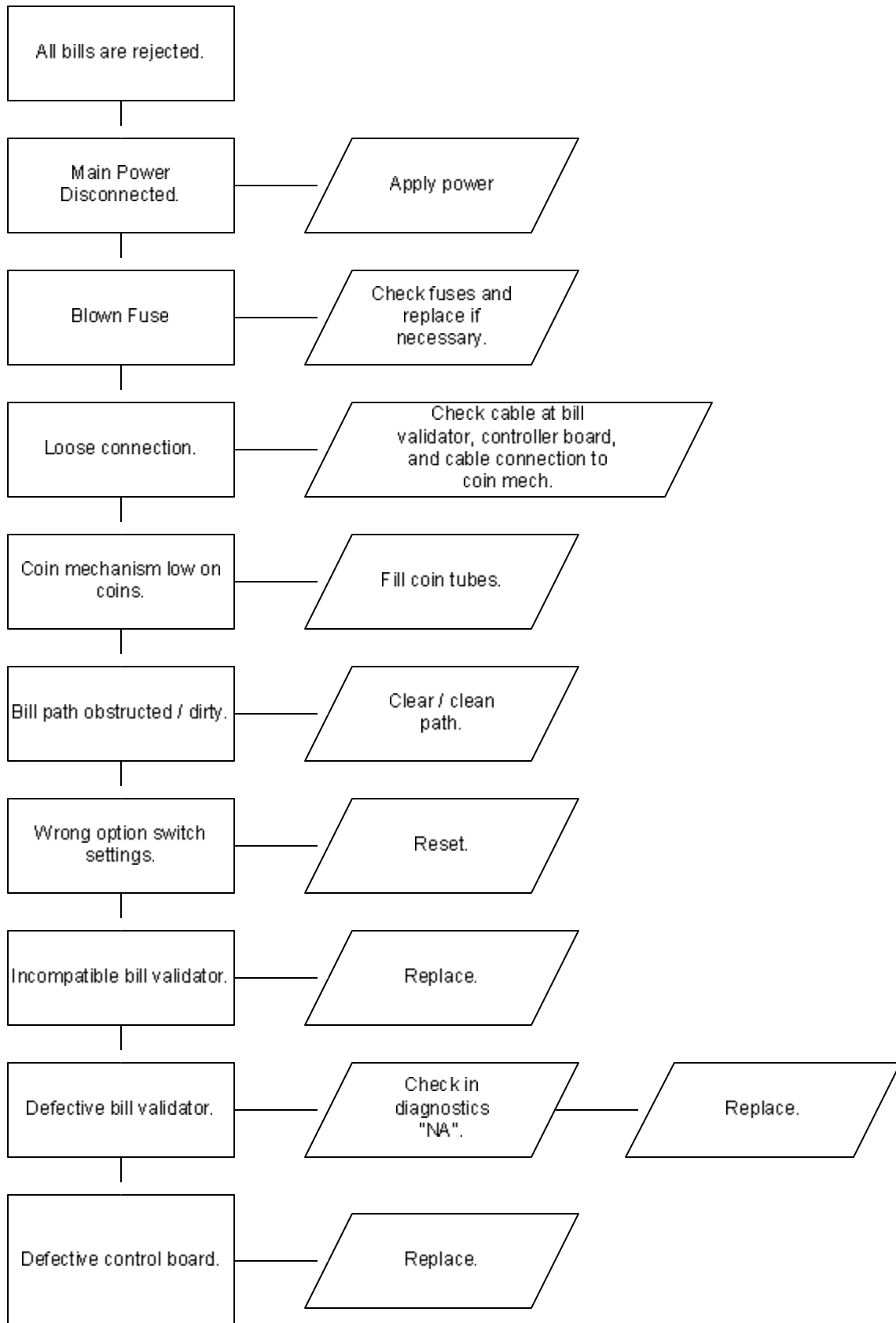
# TROUBLESHOOTING FLOWCHARTS

These charts are intended to isolate and correct most problems you might encounter.

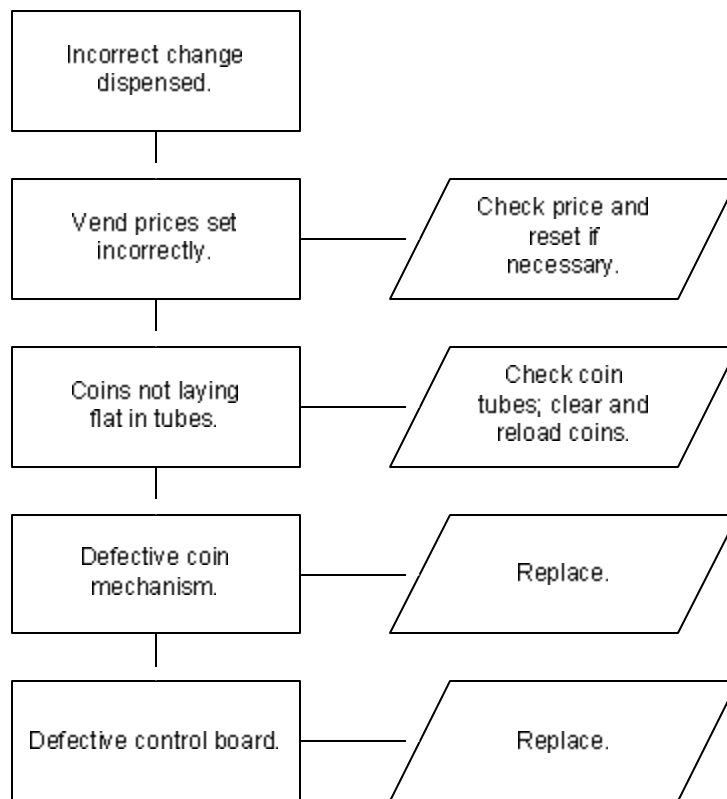
## ALL COINS ARE REJECTED



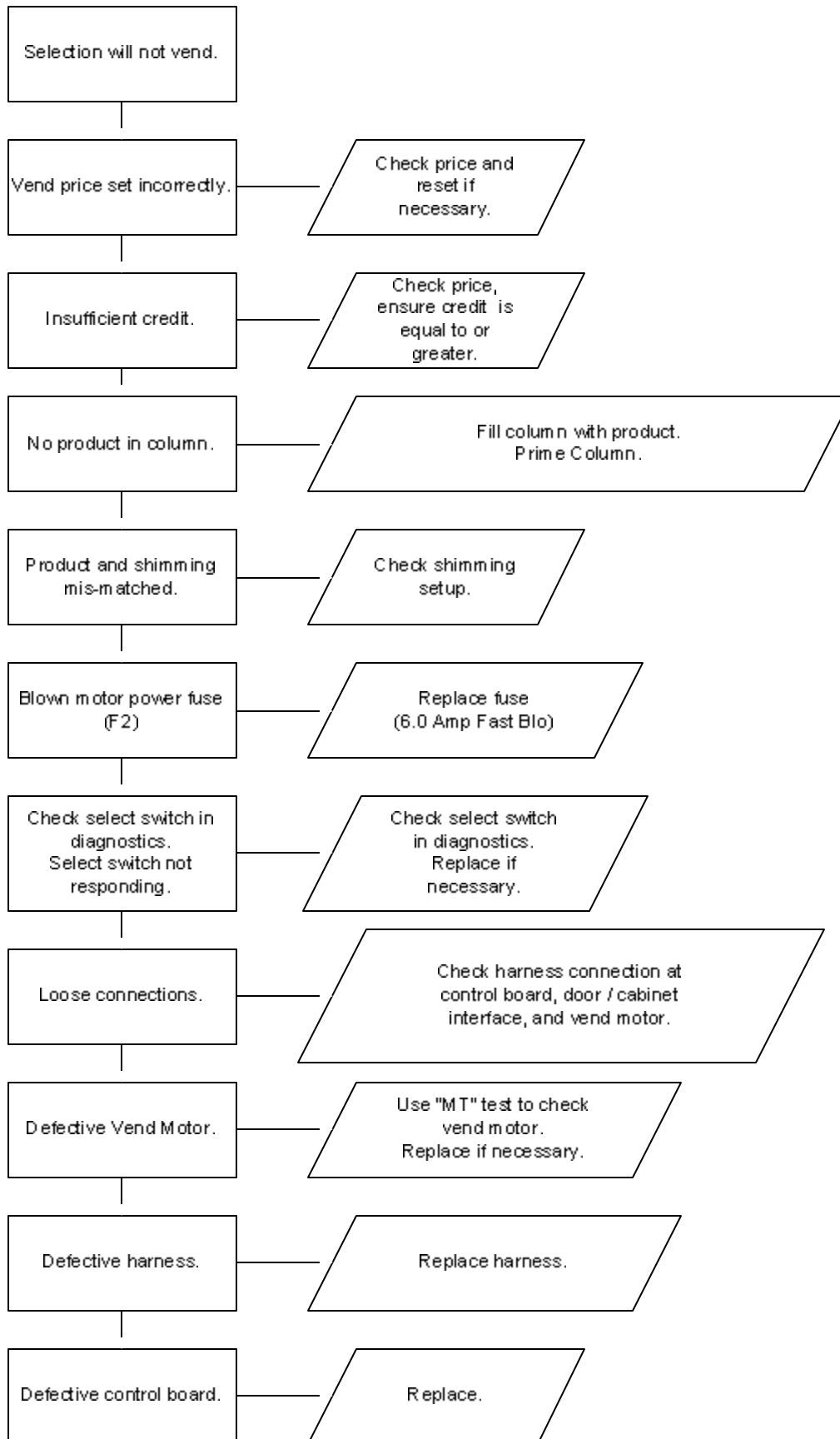
ALL BILLS ARE REJECTED



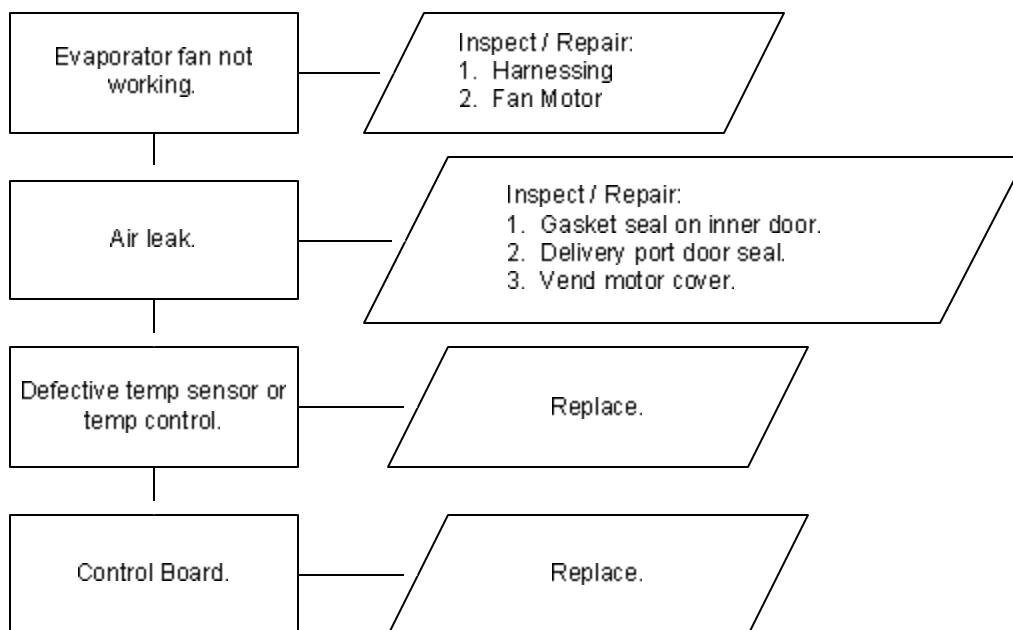
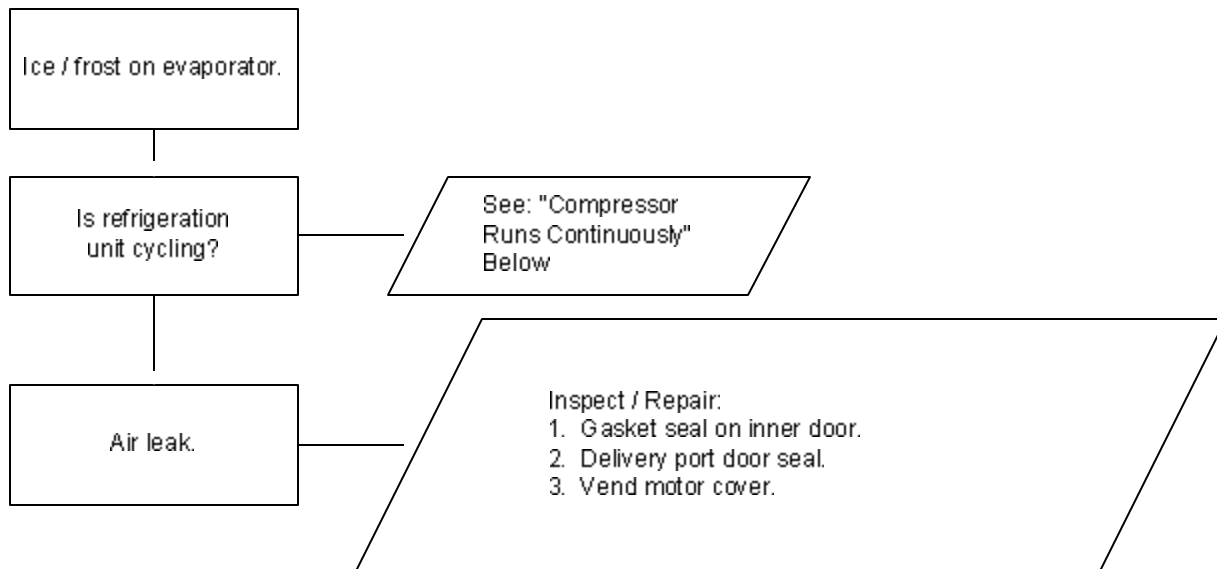
INCORRECT CHANGE DISPENSED



SELECTION WILL NOT VEND

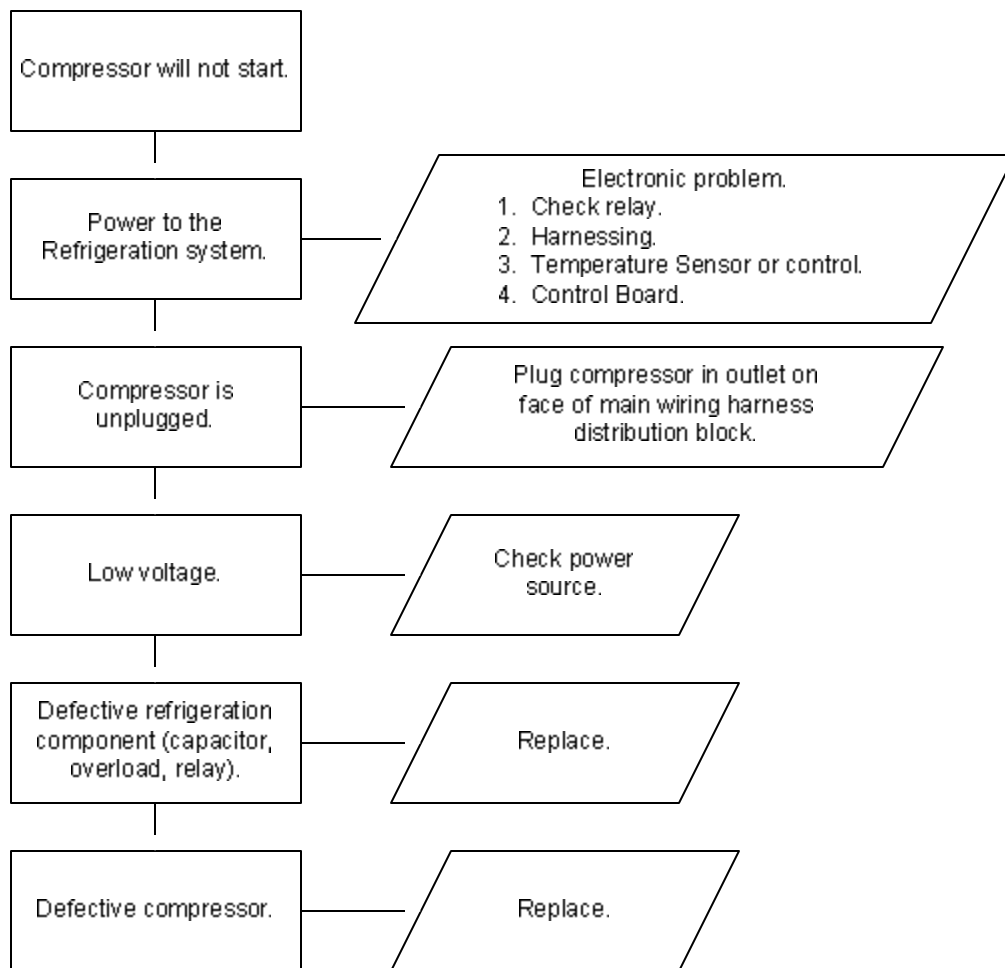


ICE / FROST ON EVAPORATOR



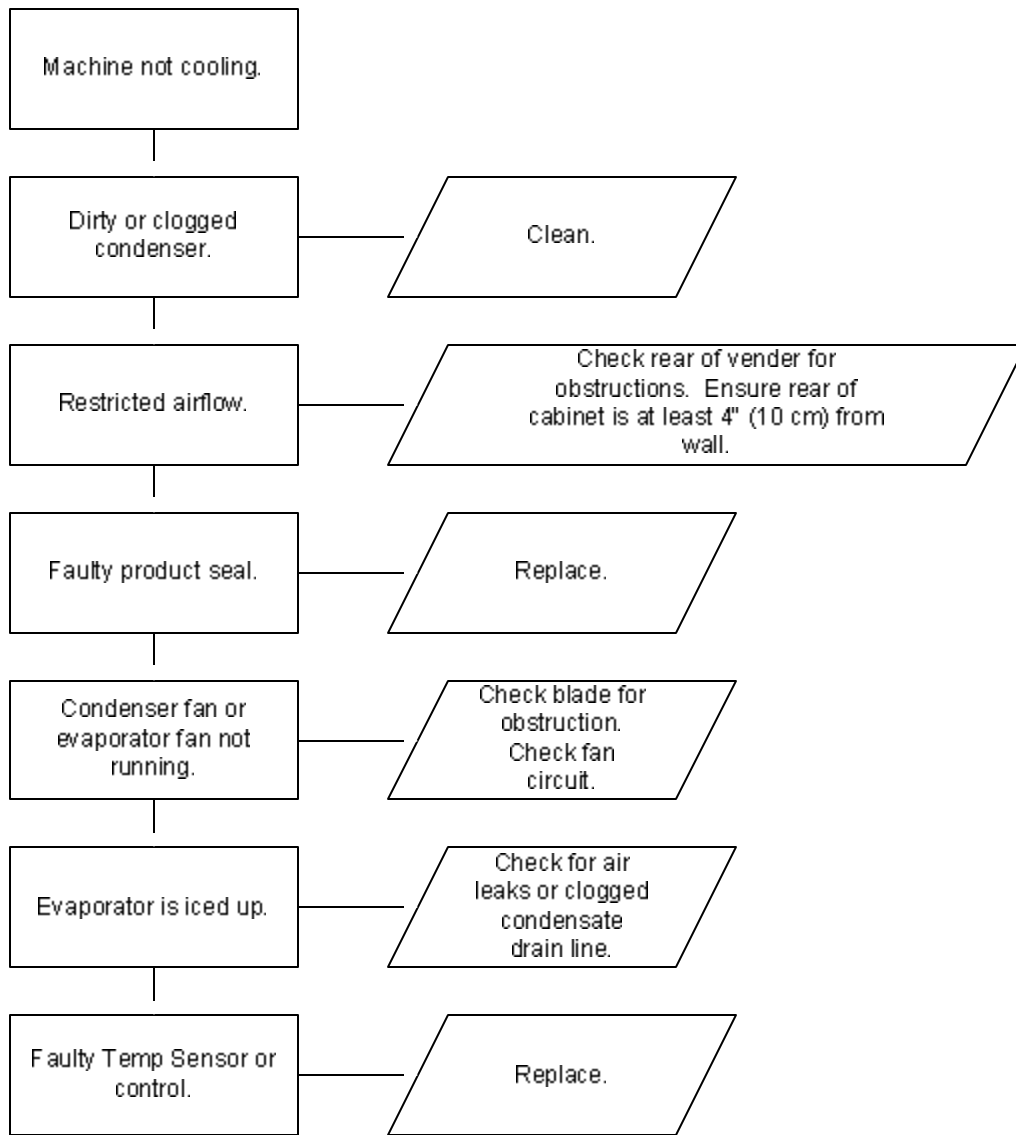


COMPRESSOR WILL NOT START



**Troubleshooting Tip:** Use a short 15 Amp extension cord and plug the compressor directly into the wall outlet. This will bypass the Electronic Controls.  
**Note:** For Testing Purposes Only.

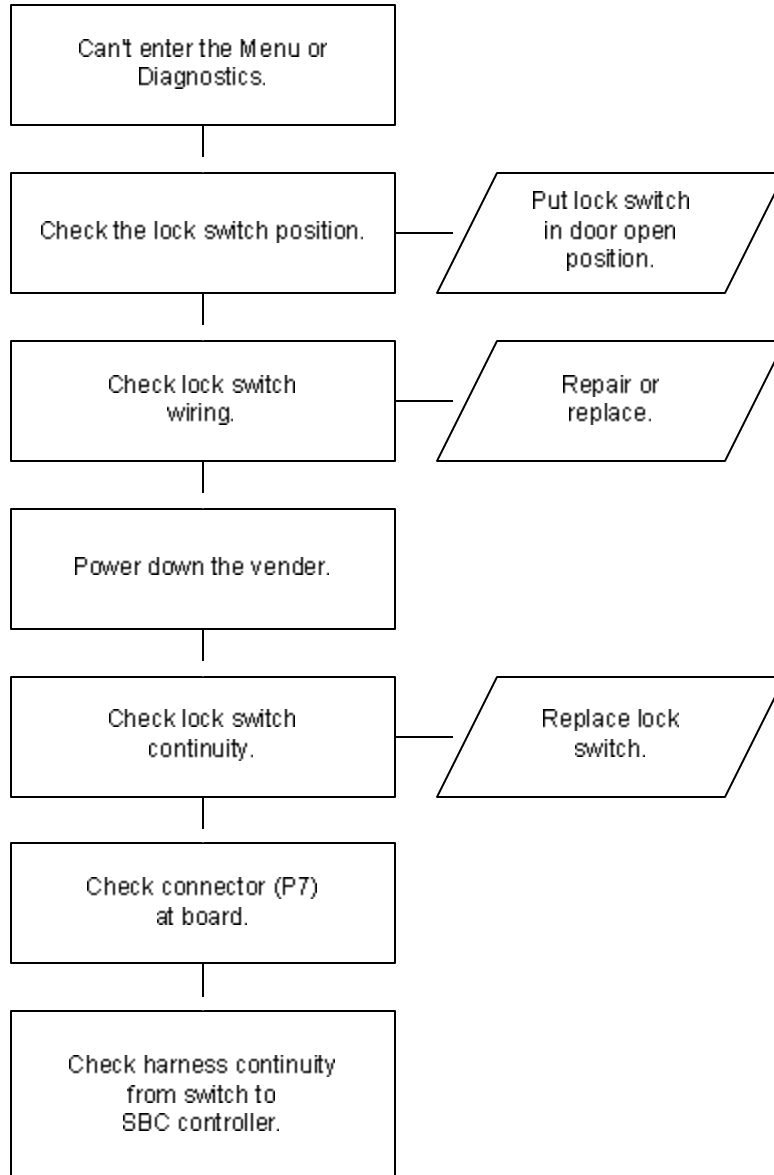
MACHINE NOT COOLING



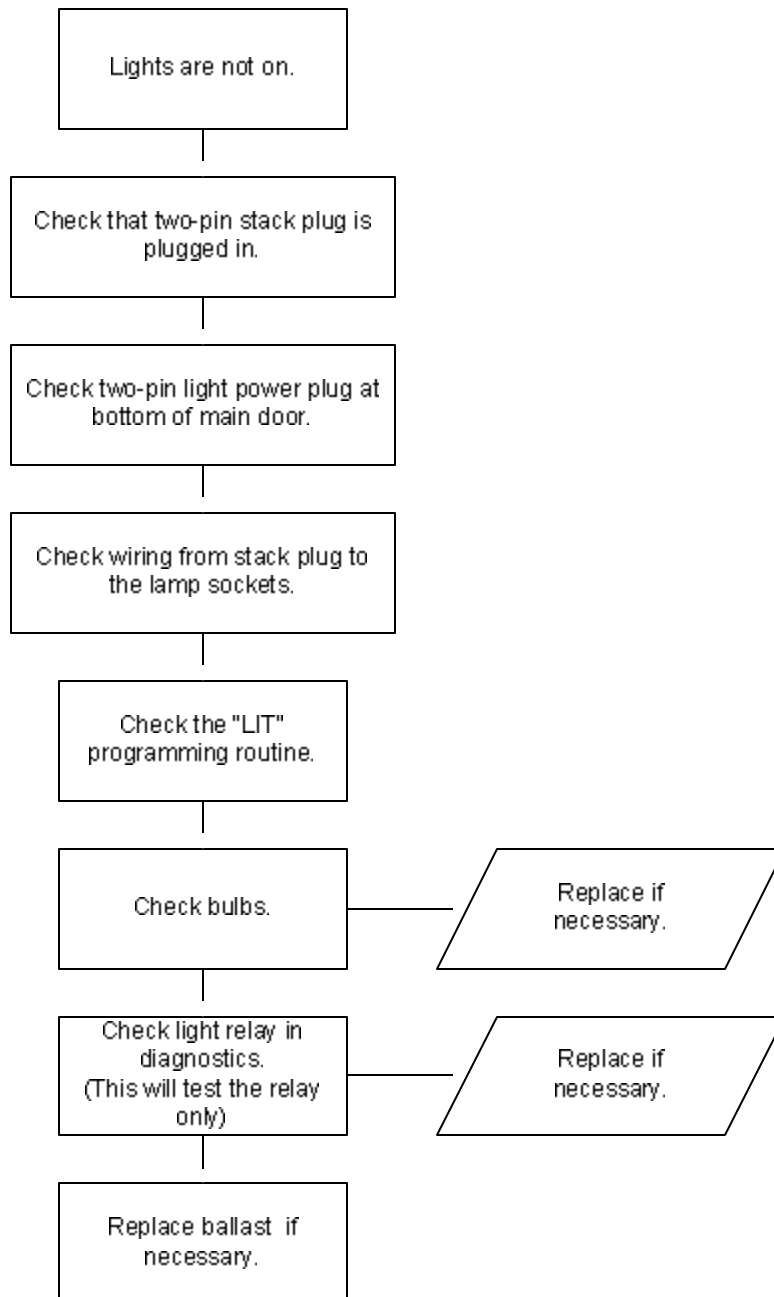
CAN'T ENTER THE MENU OR DIAGNOSTICS



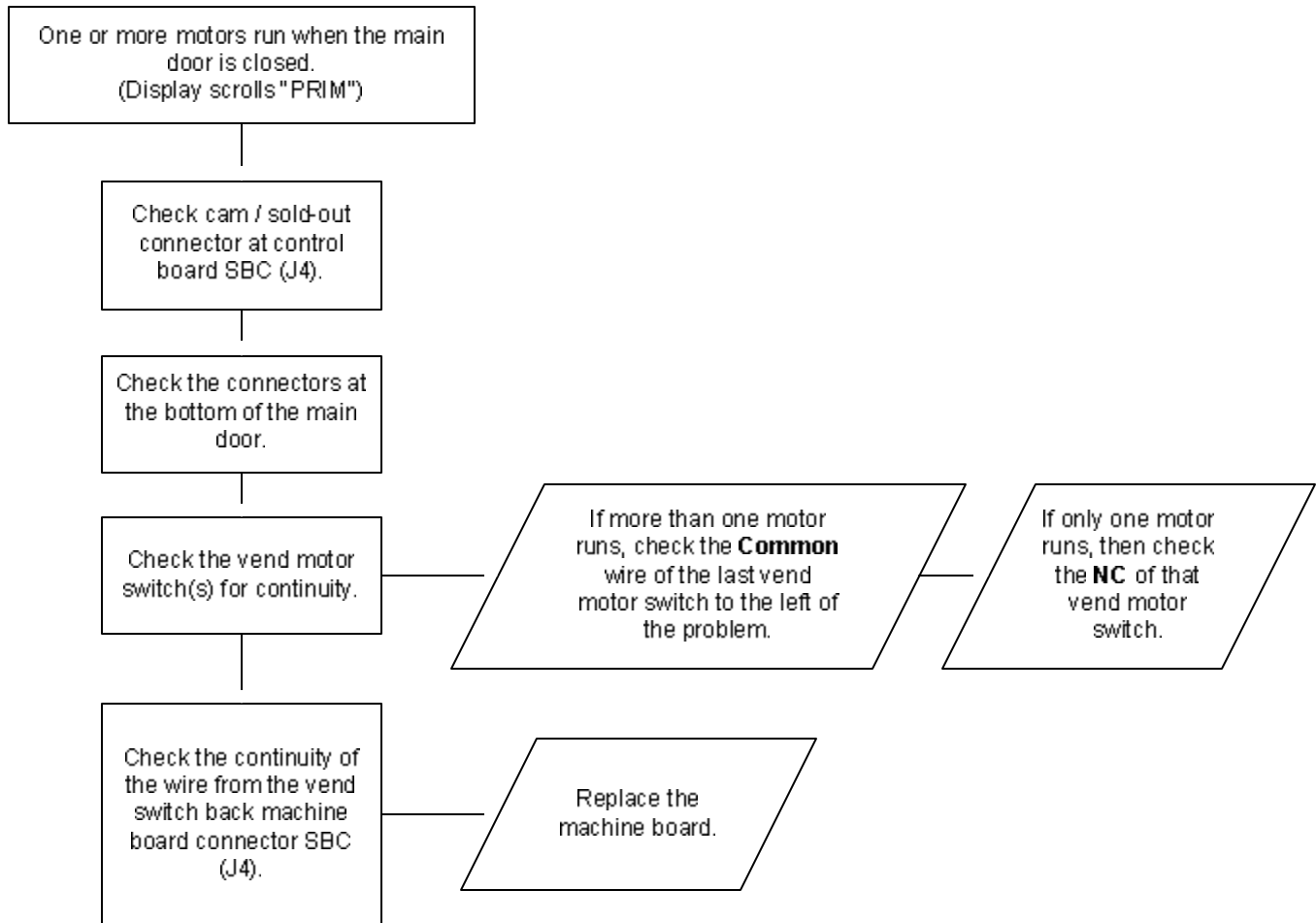
**Note:** Prior to checking wires or connections, ensure power has been removed from vender.



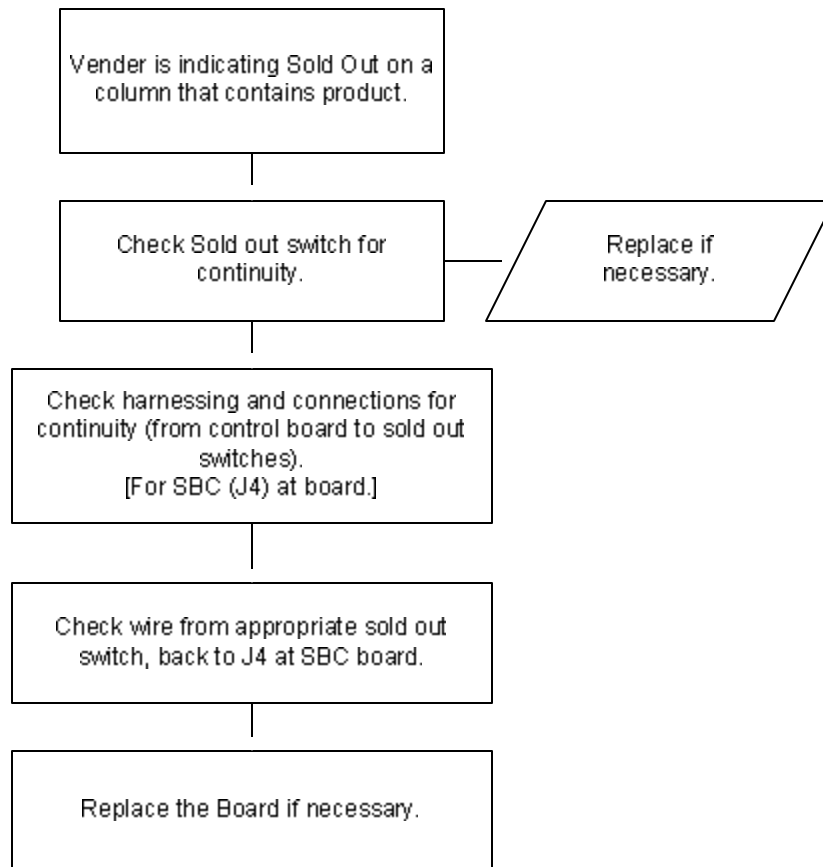
LIGHTS ARE NOT ON



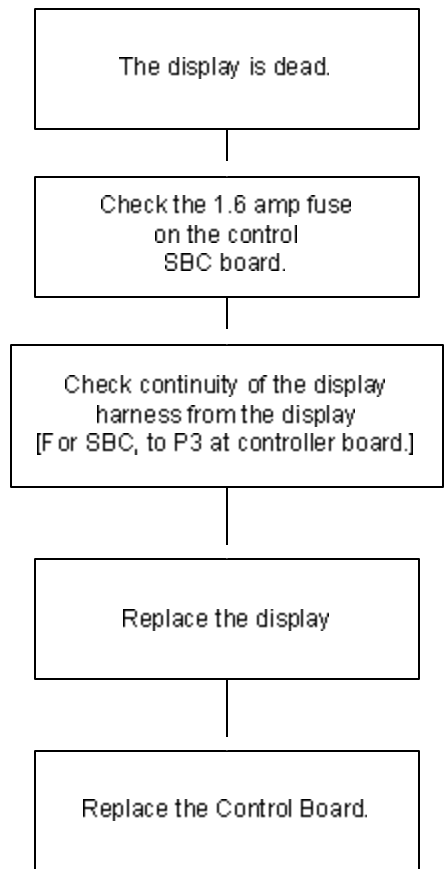
ONE OR MORE MOTORS RUN WHEN MAIN DOOR IS CLOSED  
(Display Scrolls "PRIM")



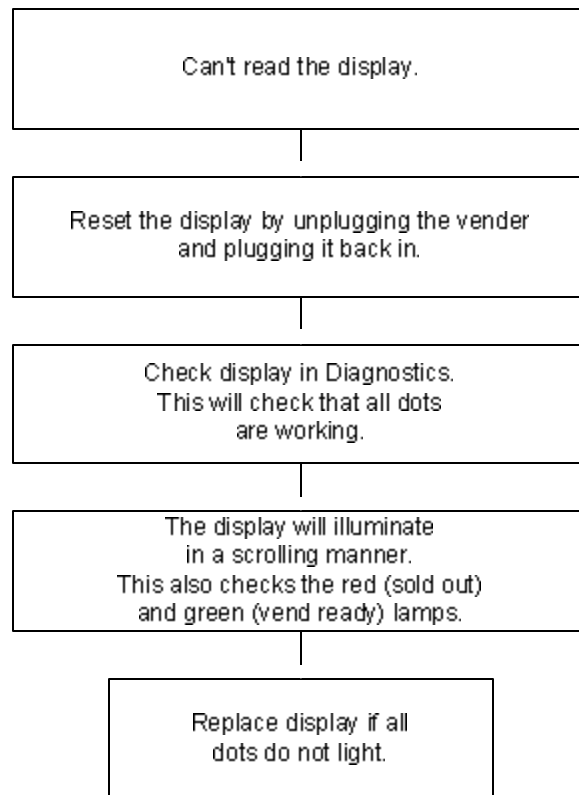
SOLD OUT



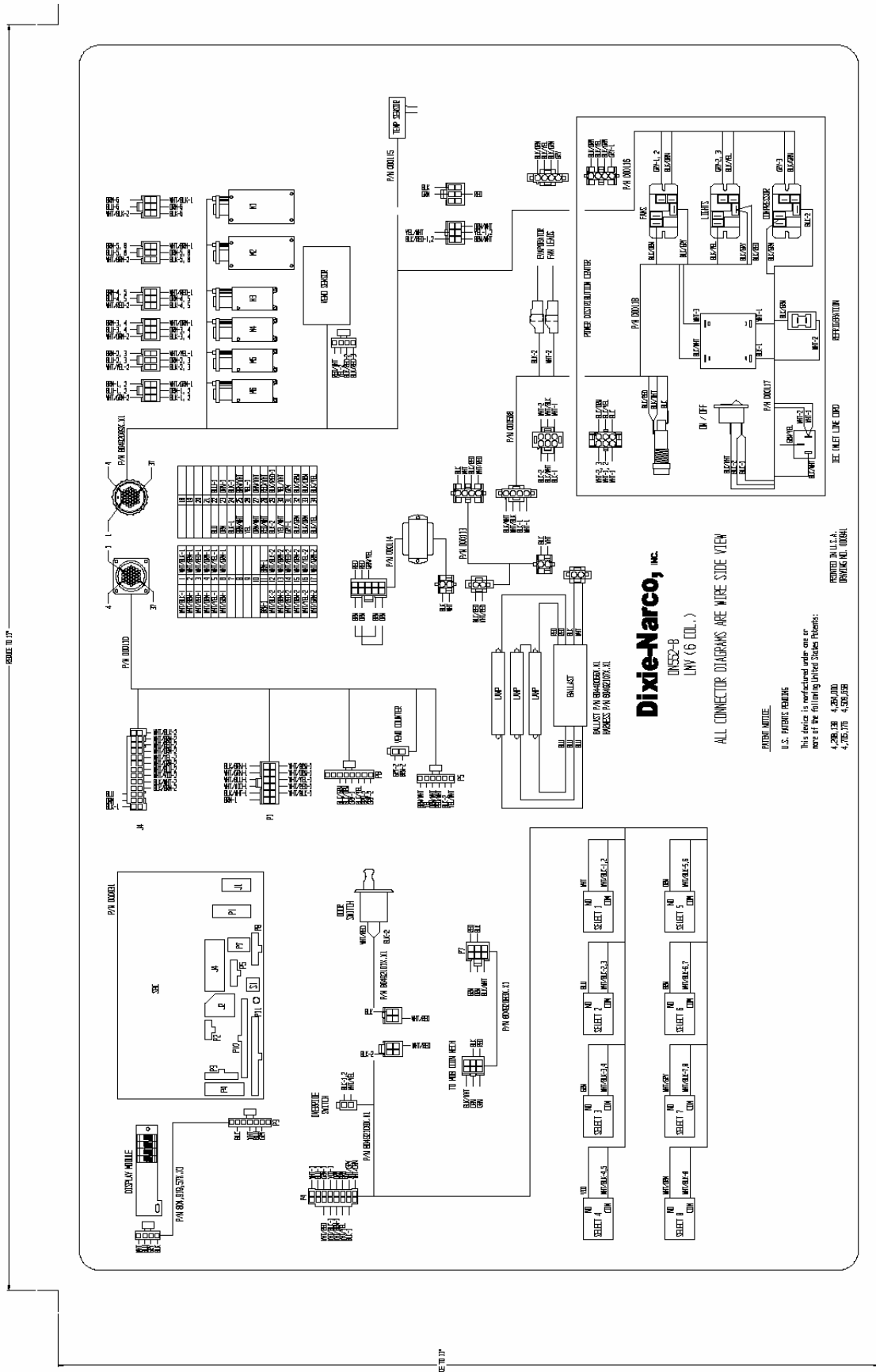
**THE DISPLAY IS DEAD**



## CAN'T READ THE DISPLAY





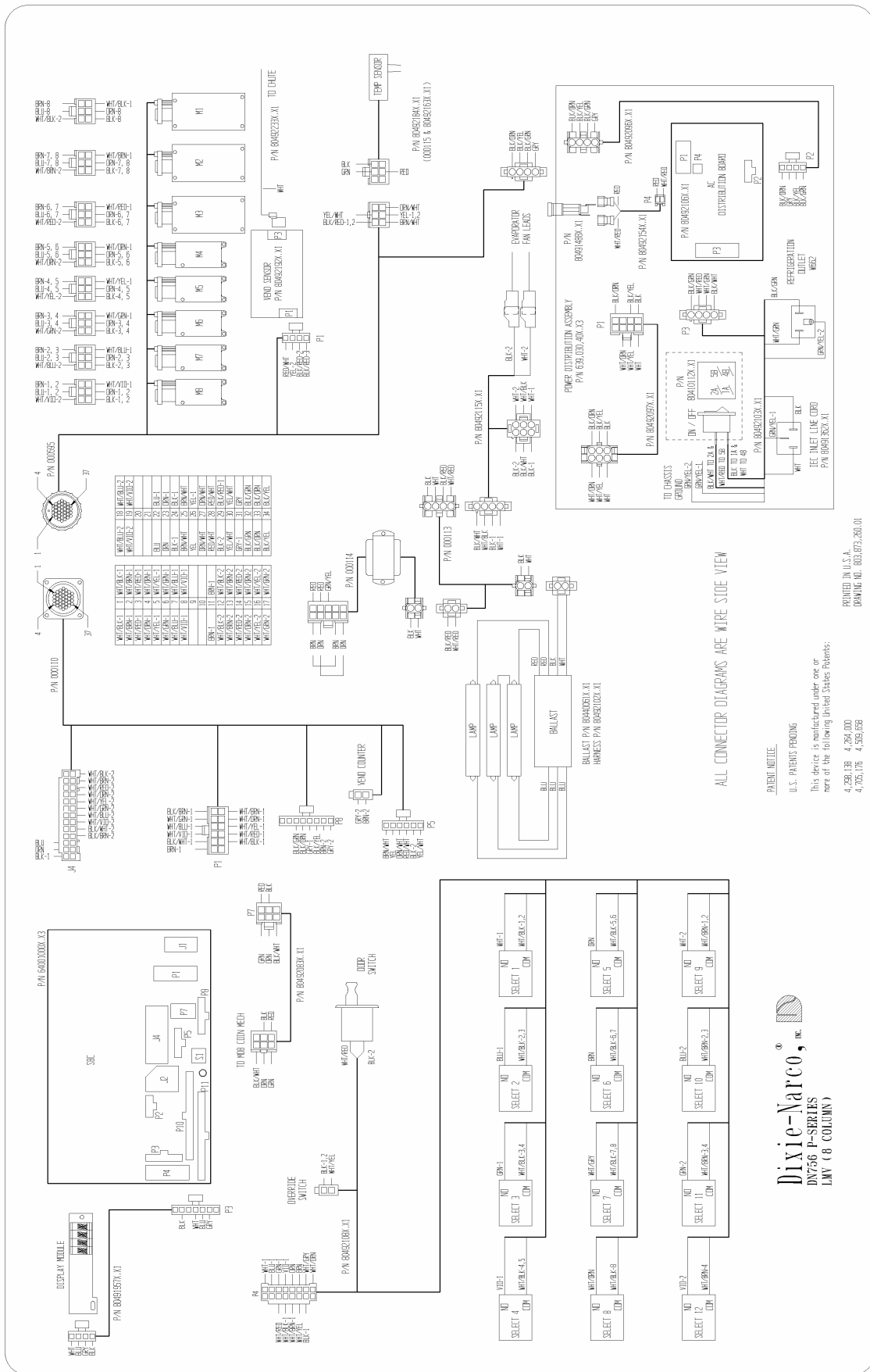


**Dixie-Narco, Inc.**  
 DMS3-B  
 LMY (6 COL.)

ALL CONNECTOR DIAGRAMS ARE WIRE SIDE VIEW

JANUARY 1976  
 U.S. PATENT PENDING  
 This device is manufactured under one or more of the following United States Patents:  
 4,268,138 4,268,100  
 4,175,176 4,526,658

LMV 8 Select / 6 Column



ALL CONNECTOR DIAGRAMS ARE WIRE SIDE VIEW

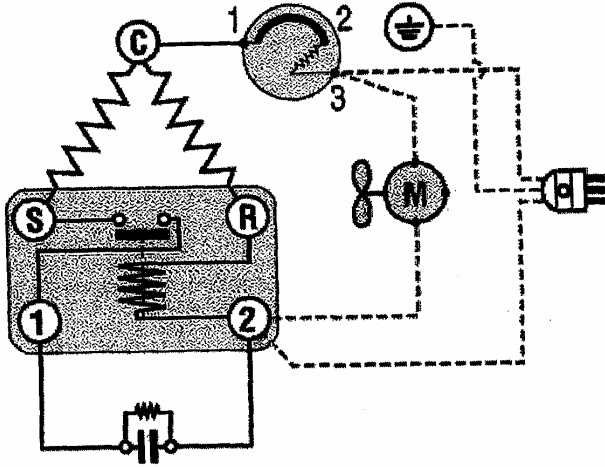
PATENT NOTICE  
 U.S. PATENTS PENDING  
 This device is manufactured under one or more of the following United States Patents:  
 4,258,138 4,254,000  
 4,258,175 4,256,558

PRINTED IN U.S.A.  
 DRAWING NO. 605,675,200.01



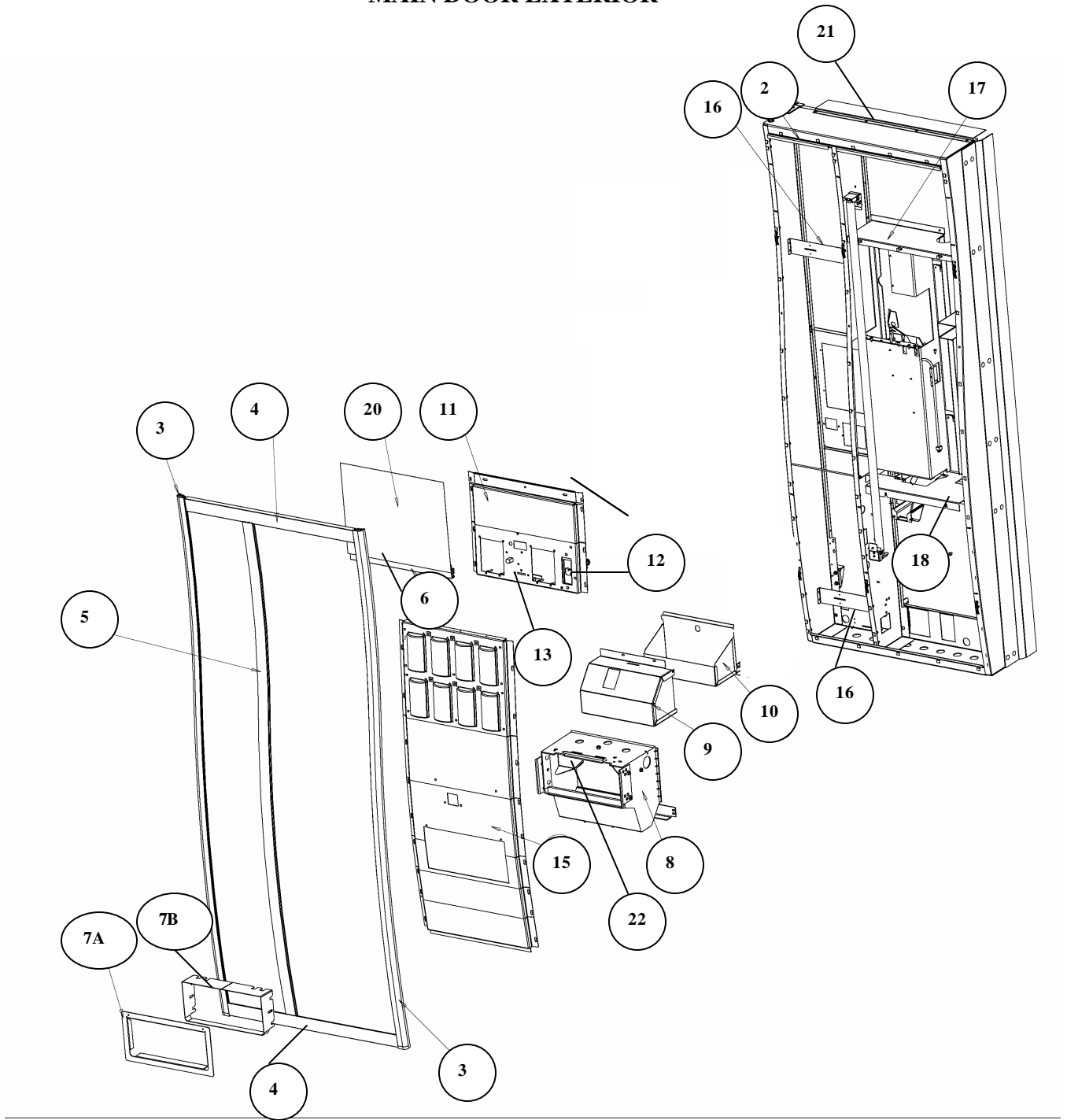
LMV 12 Select / 8 Column

Refrigeration Circuit Diagrams



Symbol	Description
	Current Start Relay with Capacitor Connections
	Start Capacitor
	Overload Protector
	Fan
	Single Phase Motor
	Earth Connection
	Single Phase Supply
	Common
	Run
	Start
	Factory Made Connections
	Connections to be made

MAIN DOOR EXTERIOR



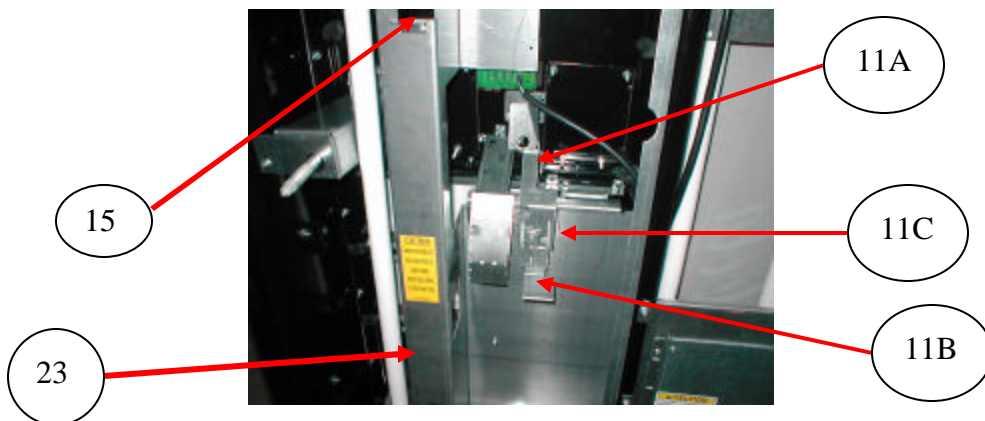
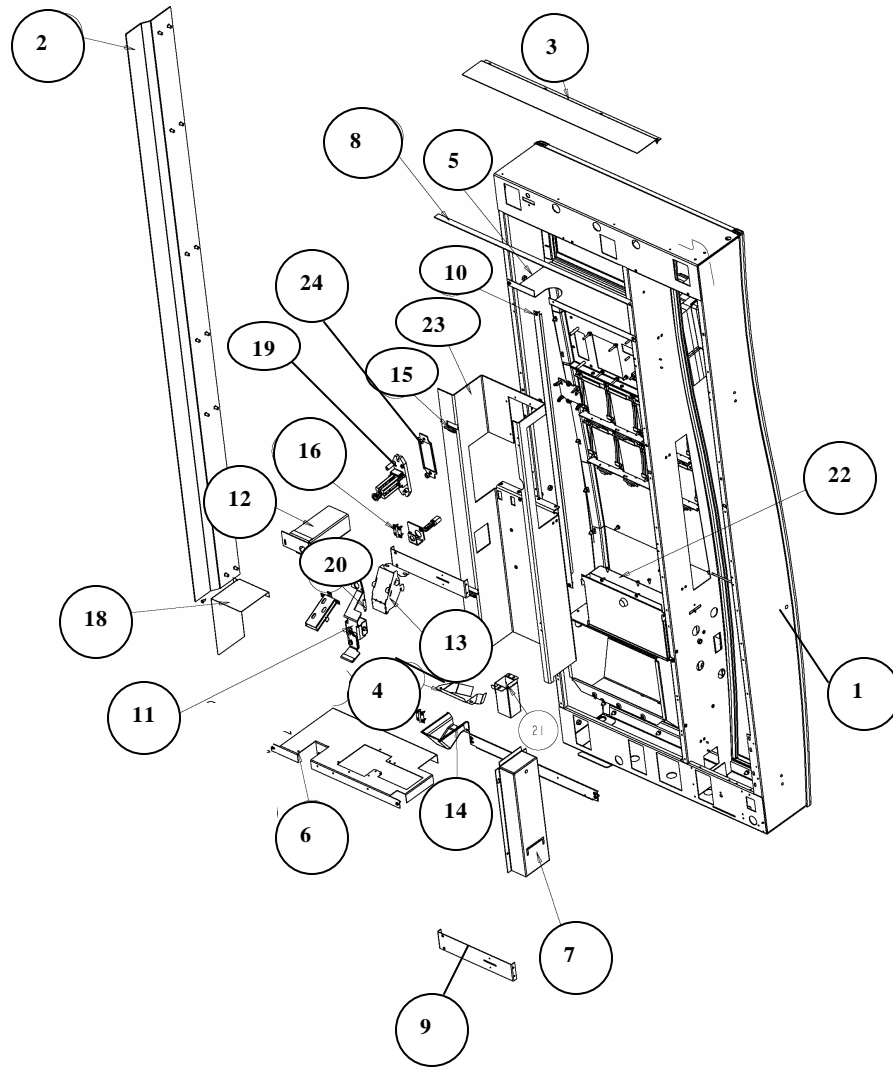
## MAIN DOOR EXTERIOR

ITEM	PART DESCRIPTION	DN552P	DN756P
1	Main Door Assembly P Series Domestic LMV - 8	642,053,20x.x3	NA
	Main Door Assembly P Series Domestic LMV - 12	NA	642,053,30x.x3
	Main Door Assembly P Series Export LMV - 12	NA	642,055,10x.x3
2	Door Weld Assembly	642,053,50x.x3	642,053,60x.x3
3	Trim, Side (Vertical) 69 1/8"	642,050,53x.x3	Same
4A	Trim, Top/Bottom (Horizontal) 25.19"	642,050,55x.x3	NA
4B	Trim, Top/Bottom (Horizontal) 34.125"	NA	642,050,73x.x3
5	Trim, Center (Vertical) 56.94"	642,050,54x.x3	Same
6	Trim, Center (Horizontal) 15.19"	642,050,56x.x3	Same
7	Port Trim Spacer, Weld Assembly	642,050,00x.x3	Same
7A	Port Trim	801,306,57x.x1	801,306,57x.x1
7B	Port Spacer	801,306,58x.x1	801,306,58x.x1
8	Delivery Port Assembly	642,052,80x.x3	Same
9	Cash Box Shelf Weld Assembly	642,054,00x.x3	Same
10	Cash Box Weld Assembly	642,054,10x.x3	Same
10A	Cash Box Lock Kit	432,011,50x.x4	Same
11A	Assembly Transaction and Coin Insert Panel Domestic	642,050,60x.x3	Same
11B	Assembly Transaction and Coin Insert Panel Export	642,050,70x.x3	Same
12	T Handle Assembly	801,518,20x.x1	Same
13	Push Button Coin Return	801,807,25x.x1	Same
14	Display Lens	801,810,67x.x1	Same
15A-1	Assembly Panel 8 Select/Port	642,051,70x.x3	NA
15A-2	Assembly Stud Panel 8 Select/Port	642,051,40x.x3	NA
15B-1	Assembly Panel 12 Select/Port	NA	642,051,60x.x3
15B-2	Assembly Stud Panel 12 Select/Port	NA	642,051,50x.x3
16	Bracket, Light Mount	624,051,38x.x3	NA
17	Top Bulkhead	642,050,36x.x3	Same
18	Bottom Bulkhead	642,050,37x.x3	Same
19	Protective Plate Main Door	165,150,33x.x3	Same
20	Add Window with Black Border	803,870,22x.x1	Same
21	Rain Guard, Black	169,050,34x.x3	164,151,15x.x3
22	Closure Strip	609,050,14x.x3	Same
23	Plate, Filler Bill Validator	624,050,93x.x3	Same
24	Label, Money Removed Daily (Not Shown)	903,805,70x.x1	Same
25	Label, Warning Do Not Tilt (Not Shown)	803,868,29x.x1	Same
26A	Label, Universal Ribbon Select/Port	803,872,05x.x1	803,869,87x.x1
26B	Label, Liquid Select/Port Spain	TBD	803,873,34x.x1
27A	Label, Universal Ribbon Transaction/Coin Insert Domestic	803,869,69x.x1	803,869,75x.x1
27B	Label, Universal Ribbon Transaction/Coin Insert Spain	TBD	803,876,87x.x1
28A	Ad Card CC Liquid 04 Bottle	805,035,92x.x1	Same
28B	Ad Card CC Liquid 04 Can	805,035,91x.x1	Same

Part numbers & descriptions are subject to change with out notice.

NA = Not applicable

MAIN DOOR INTERIOR



## MAIN DOOR INTERIOR

ITEM	PART DESCRIPTION	DN552P	DN756P
1	Door Weld Assembly	642,053,50x.x3	642,053,30x.x3
2	Protective Plate Main Door	165,150,33x.x3	Same
3	Rain Guard, Black	169,050,34x.x3	164,151,14x.x3
4	Change Cup Chute	642,050,42x.x3	Same
5	Top Bulkhead	642,050,36x.x3	Same
6	Bottom Bulk Head	642,050,37x.x3	Same
7	Assembly Ballast Cover	642,052,90x.x3	Same
8	Gasket "L" Profile	803,601,11x.x1	803,601,12x.x1
9	Bracket T8 Light	624,051,38x.x3	642,050,63x.x3
10	Brace	642,050,39x.x3	
11	Assembly Coin Return	642,054,20x.x3	Same
11A	Coin Return Rocker	642,050,66x.x3	Same
11B	Coin Return Rocker Extension	642,050,67x.x3	Same
11C	Coin Return Rocker Bracket	624,051,26x.x3	Same
11D	Coin Return Button (see Page 55)	801,807,25x.x1	Same
12	T Handle Bolt Cover	642,050,41x.x3	Same
13	Coin Chute Assembly Vault Door	642,053,80x.x3	Same
14	Change Cup	801,810,14x.x1	Same
15	Latch, Access Door	801,304,53x.x1	Same
16	Changer Guard Door Hinge	901,502,41x.x1	Same
17	Inner Door Lock Kit	360,010,30x.x4	Same
18	Cover, Security Bill Validator	642,050,01x.x3	Same
19	T Handle Body	801,518,18x.x1	Same
20	Spring	901,503,05x.x1	901,503,05x.x1
21	Assembly Coin Chute Cash Box	642,053,90x.x3	Same
22	Cash Box Shelf Weld Assembly	642,054,00x.x3	Same
23	Vault	642,050,38x.x3	Same
24	T Handle Shim	805,701,24x.x1	Same
25	Door Switch	804,100,77x.x1	Same
26	Assembly Coin Insert Chute Transaction Panel	642,054,30x.x3	Same
27	Gasket, Note Acceptor	902,001,11x.x1	Same

Part numbers & descriptions are subject to change with out notice.

NA = Not applicable

COIN INSERT

5C - Push Button  
801,807,25x.x1

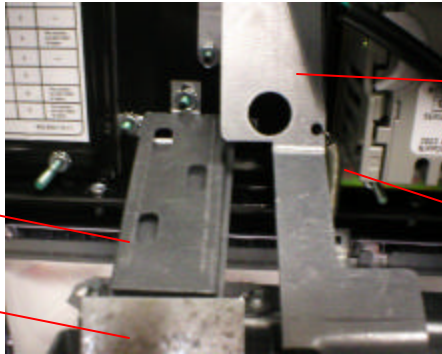


1 - Transaction/Coin  
Insert Panel Assy.  
642,050,60x.x3 Domestic  
642,050,70x.x3 Export

2 - T handle Assy.  
801,518,20x.x1

2A - T Handle  
801,518,14x.x1

6 - Coin Chute Assy.  
642,054,30x.x3

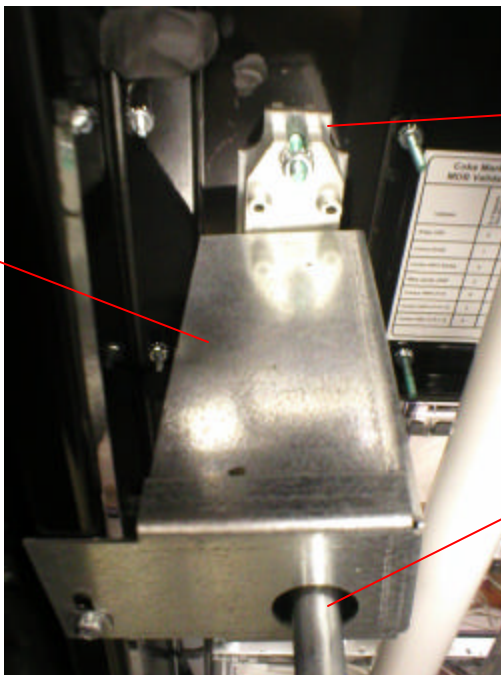


5 - Coin Return Assy.  
642,054,20x.x3

4 - Assy Coin Chute Vault  
642,053,80x.x3

5G - Coin Return Spring  
901,700,63x.x1

3 - T handle Cover  
642,050,41x.x3



2I - T Handle Shim  
805,701,24x.x1

2C - T Handle Stud  
801,518,17x.x1



## COIN INSERT

ITEM	DESCRIPTION	DN552P	DN756P
1	Assembly Transaction & Coin Insert Panel (includes T Handle Assembly) Domestic	642,050,60x.x3	Same
	Assembly Transaction & Coin Insert Panel (includes T Handle Assembly) Export	642,050,70x.x3	Same
2	T Handle Assembly Flush Mount	801,518,20x.x1	Same
2A	T Handle	801,518,14x.x1	Same
2B	T Handle Flange	801,518,18x.x1	Same
2C	T Handle Stud	801,518,17x.x1	Same
2D	External Retaining Ring	801,507,34x.x1	Same
2E	Flat Washer	901,503,06x.x1	Same
2F	Cross Pin	901,503,09x.x1	Same
2G	Spring	901,503,05x.x1	Same
2H	Spring	901,508,18x.x1	Same
2I	T Handle Shim	805,701,14x.x1	Same
2J	Spring Conical Coin Return	801,701,22x.x1	Same
3	T Handle Bolt Cover	642,050,41x.x3	Same
4	Assembly Coin Chute, Vault	642,053,80x.x3	Same
5	Assembly Coin Return	642,054,20x.x3	Same
5A	Extension Coin Return Rocker	642,050,67x.x3	Same
5B	Bracket Coin Return Rocker	624,051,26x.x3	Same
5C	Button, Push Coin Return	801,807,25x.x1	Same
5D	Coin Return Rocker	642,050,66x.x3	Same
5E	Roller Pin	900,502,19x.x1	Same
5F	Roller Pin Retainer	900,900,90x.x1	Same
5G	Coin Return Spring	901,700,63x.x1	Same
6	Assembly Coin Insert Chute Transaction Panel	642,054,30x.x3	Same
7	Vault	642,050,38x.x3	Same
8	Latch Access Door	801,304,53x.x1	Same
9	Carriage Bolt, ¼ 20 x 1/2	900,201,45x.x1	Same
10	Hinge, Changer Guard Door	901,502,41x.x1	Same
11	Hex nut ¼ - 20	900,800,67x.x1	Same
12	Screw, 8-18x1/2 SD Phil Pan	900,301,50x.x1	Same
13	Screw, 8-32x1/4 Phil Pan	900,301,97x.x1	Same
14	Hex Nut 8-32	900,800,50x.x1	Same
15	Label, Precaution Access Door	803,833,04x.x1	Same

Part numbers & descriptions are subject to change with out notice.

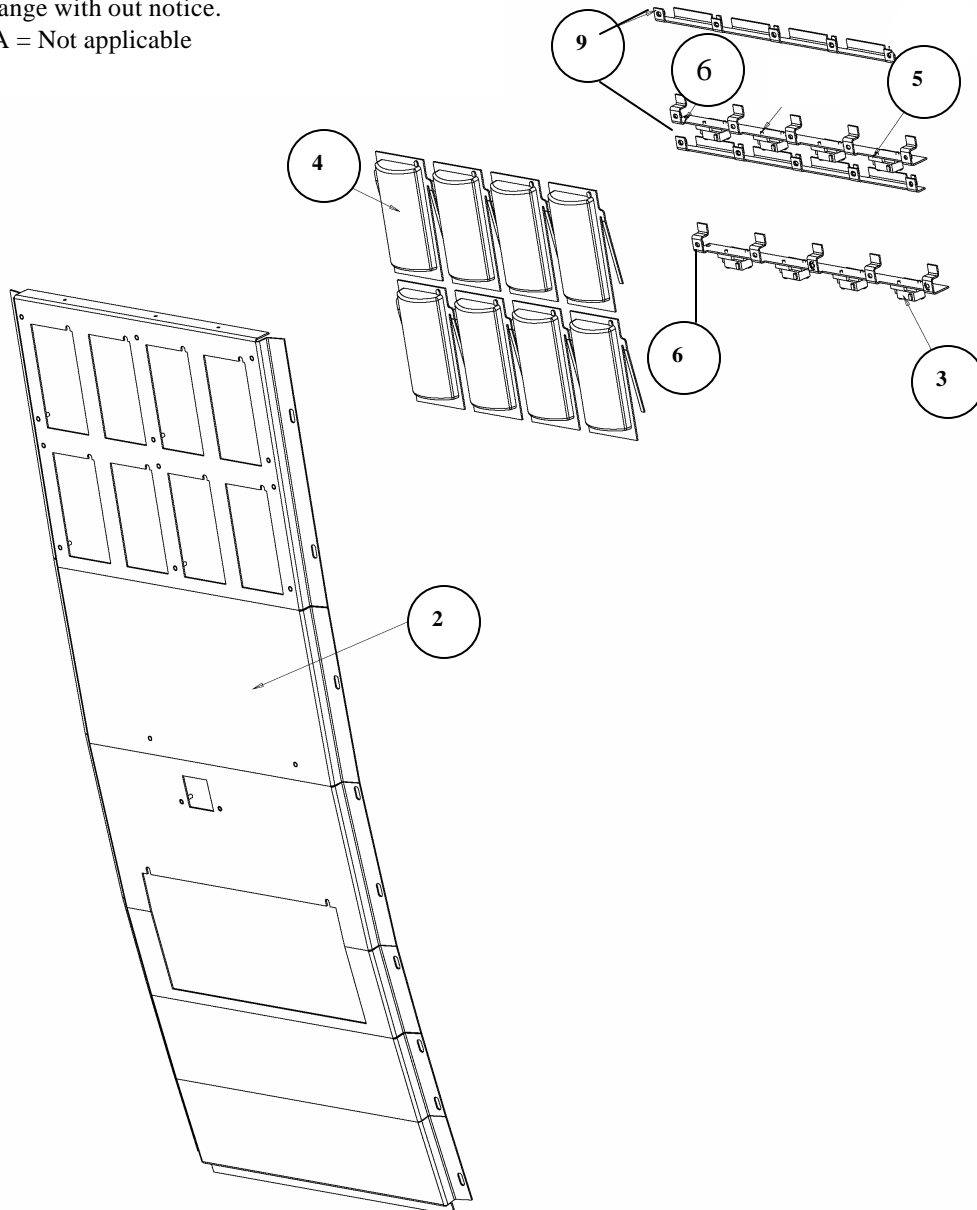
NA = Not applicable

SELECT PANEL

ITEM	PART DESCRIPTION	DN552P	DN756P
1	Select Panel Assembly, 8 Select	642,051,70x.x3	NA
	Select Panel Assembly, 12 Select	NA	642,051,60x.x3
2	Assembly Stud Select Panel/Port - 8	642,051,40x.x3	NA
	Assembly Stud Select Panel/Port - 12	NA	642,051,50x.x3
3	Select Switch, SBC	804,100,74x.x1	Same
4	Select Button	801,810,62x.x1	Same
5	Switch Insulator	801,812,17x.x1	Same
6	Select Button Stop	805,700,58x.x1	Same
7	Screw #4 – 24 X ¾ Phil Pan	900,300,47x.x1	Same
8	Hex Nut # 8 -32	900,800,50x.x1	Same
9	Select Button Retainer	624,050,12x.x3	Same

Part numbers & descriptions are subject to change with out notice.

NA = Not applicable

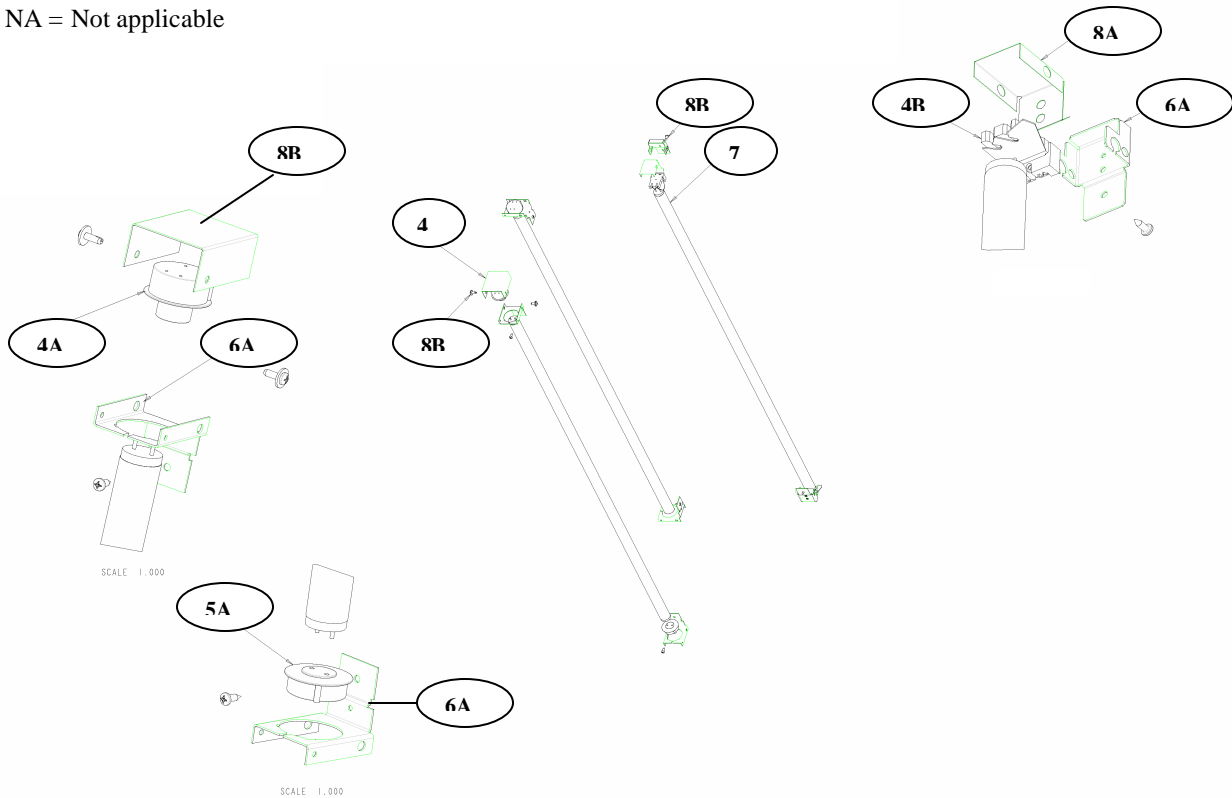


T8 LIGHTING

ITEM	PART DESCRIPTION	DN552P	DN756P
1	Ballast T8 Advance 3 Lamp Domestic 115V	804,400,61x.x1	Same
	Ballast T8 Sylvania 2 Lamp Export 220V	804,400,75x.x1	Same
2	Lighting Harness 3 Lamp Domestic	804,921,07x.x1	804,921,02x.x1
	Lighting Harness 2 Lamp Export	TBD	804,923,33x.x1
3	Boot, Lamp	802,001,44x.x1	Same
4A	Top Lampholder T8 Leviton 518 Push	804,918,58x.x1	Same
4B	Lamp Holder T8 Leviton 13153-OLN with nut Twist	804,921,91x.x1	Same
5	Bottom Lampholder T8 Leviton 519 Push	804,918,59x.x1	Same
6A	Bracket, Lamp Socket (4) Push	642,050,68x.x3	Same
6B	Bracket, Lamp Socket (2) Twist	642,050,69x.x3	Same
7A	T8 Lamp, 4' - (3) [Domestic]	804,700,76x.x1	Same
	T8 Lamp, 5' - L58W/840 (1) [Export]	TBD	804,700,83x.x1
	Lamp 48" TLD 36W/84ONG Metric (1) [Export]	TBD	804,700,66x.x1
8A	Lamp Socket Shield Twist	801,819,12x.x1	Same
8B	Lamp Socket Shield Push	801,819,13x.x1	Same

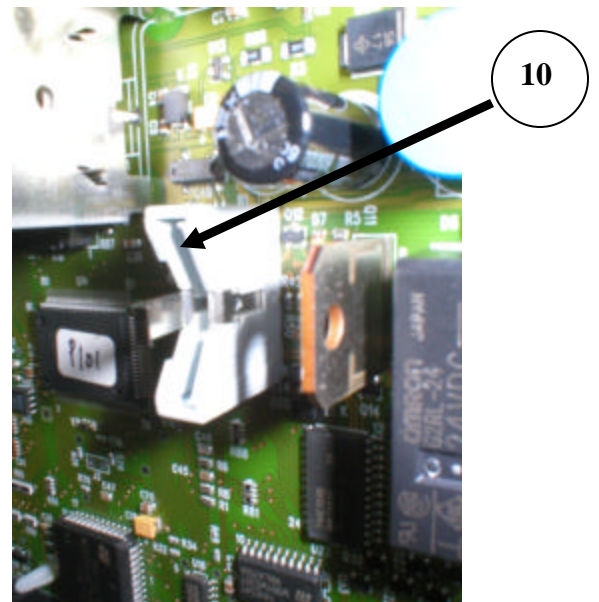
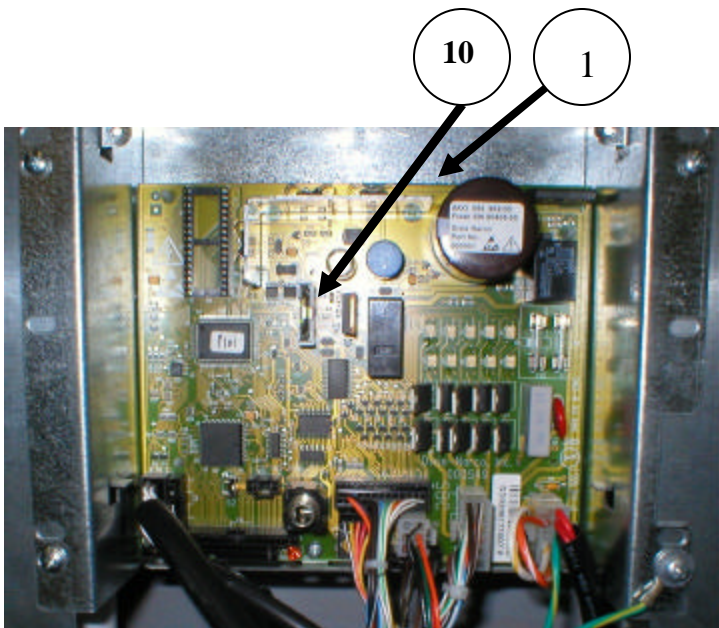
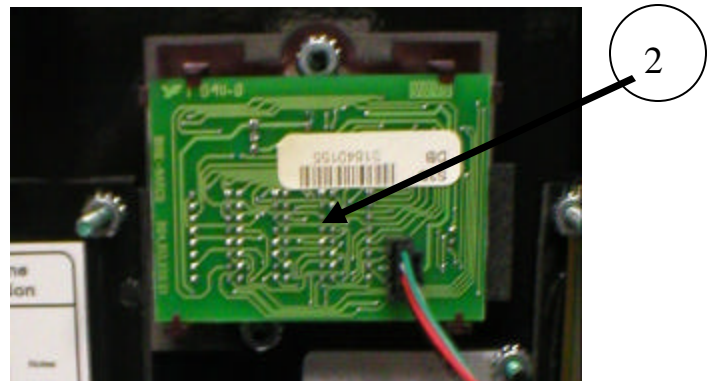
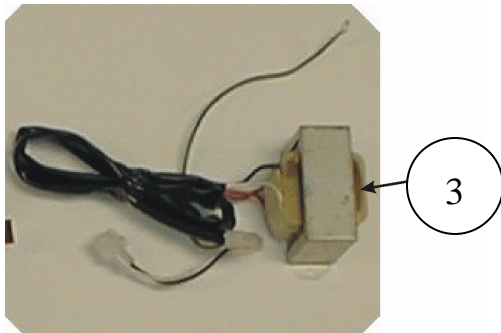
Part numbers & descriptions are subject to change with out notice.

NA = Not applicable



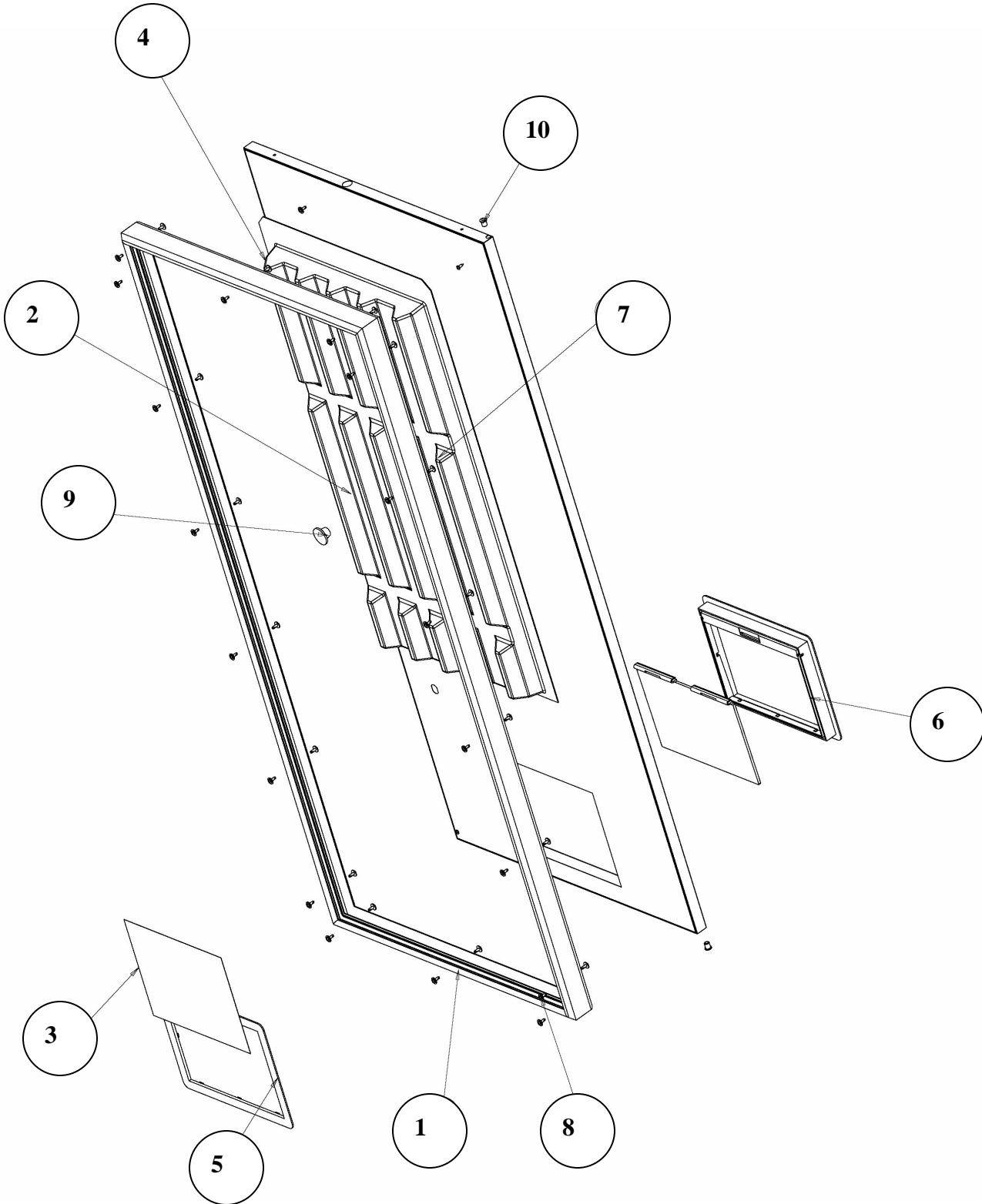
ELECTRONIC COMPONENTS

ITEM	PART DESCRIPTION	DN552P	DN756P
1	Control Board Assembly SBC	640,010,00x.x3	Same
2	Display Board 14 Segment	804,914,11x.x1	Same
3	Transformer - Domestic	804,923,31x.x1	Same
	Transformer - Export	804,923,32x.x1	Same
4	Fuse 1.6 Amp (F1) SBC	804,868,03x.x1	Same
5	Fuse, 6 Amp Fast Acting (F2) SBC	804,910,93x.x1	Same
6	Controller Cover - Not Shown	801,306,16x.x1	Same
7	Label, Fuse - Not Shown	803,857,06x.x1	Same
8	SBC Eprom Control Board	804,919,77x.x1	Same
9	Rain Curtain, Control Board - Not Shown	801,904,23x.x1	Same
10	Battery, 3V Lithium (CR2032) - Not Shown	804,920,45x.x1	Same
11	Fuse 1.6 Amp 5X20mm AC Distribution Box (Domestic)	804,800,71x.x1	Same
	Fuse 1 Amp 5X20mm AC Distribution Box (Export)	804,914,23x.x1	Same
12	Vend Sensor Assembly	804,921,92x.x1	Same



Part numbers & descriptions are subject to change with out notice.  
 NA = Not applicable

INNER DOOR



## INNER DOOR

ITEM	PART DESCRIPTION	DN552P	DN756P
	Inner Door Assembly	640,050,80x.x3	639,050,40x.x3
1	Inner Door Gasket	801,819,05x.x1	801,819,04x.x1
2	Sub Assembly Inner Door	640,050,90x.x3	639,050,50x.x3
3	Label, STS/Package Set Up	803,871,38x.x1	Same
4	Gate, Front Product Positioner	801,819,15x.x1	Same
5	Discharge Frame Retainer	801,809,15x.x1	Same
6	Assembly Discharge Frame	801,809,16x.x1	Same
6a	Discharge Door	801,809,17x.x1	Same
6b	Frame, Discharge	801,809,14x.x1	Same
6c	Rod, Hinge (Not Shown)	801,401,70x.x1	Same
7	Carriage Bolt ¼ - 20 x 1 ¼	900,201,23x.x1	Same
8	Screw, SD Phil Pan Sems 8 – 18 1/2	900,301,65x.x1	Same
9	Pull Knob	901,501,70x.x1	Same
10	Inner Door Bushing (Bearing)	801,806,42x.x1	Same
11	Bushing Retainer (Not Shown)	801,806,43x.x1	Same
12	Plastic Bearing (Not Shown)	901,803,71x.x1	Same
13	Top Inner Door Hinge (Not Shown)	169,053,00x.x3	Same
14	Bottom Inner Door Hinge (Not Shown)	169,051,10x.x3	Same
15	Inner Door Lock Kit	360,010,30x.x4	Same
16	Can Shim Box (not shown)	640,050,09x.x3	Same
17	Label, Important Loading Instructions	803,872,73x.x1	Same

Part numbers & descriptions are subject to change with out notice.

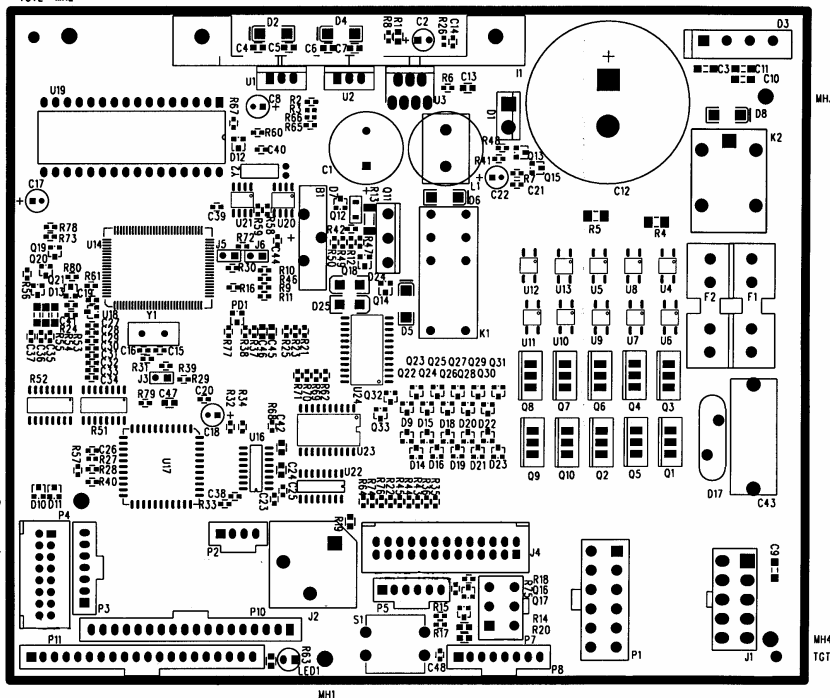
NA = Not applicable

**HARNESSING**  
**Single Board (SBC)**

ITEM	PART DESCRIPTION	DN552P	DN756P
1	Motor Harness (6 Motor Stack)	804,920,99x.x1	NA
	Motor Harness (8 Motor Stack)	NA	000595
2	Board Power Harness (includes transformer) J1	804,922,14x.x1	804,922,14x.x1
3	Harness, P Series 44" Door	000110	Same
4	Harness, MDB 25"	804,920,83x.x1	Same
5A	Harness, Select Door LMV8	804,921,09x.x1	Same
5B	Harness, Select Door LMV12	NA	804,921,08x.x1
6	66" DEX Harness	804,907,83x.x1	Same
7	Display Harness (P3 to display board)	804,919,57x.x1	Same
8	Secondary DEX Harness	804,913,97x.x1	Same
9	MDB and Lock Power Harness (P7)	804,919,57x.x1	Same
10	Harness, Relay Power Distribution	804,920,96x.x1	Same
11	Harness, Power Distribution (In)	804,920,98x.x1	804,921,03x.x1
12	Harness, Power Distribution (Out)	804,920,97x.x1	Same
13	Harness, AC Distribution	804,921,15x.x1	Same
14	Harness, AC Dist Extended	000113	Same
15	Harness, Door Switch Extended	804,921,01x.x1	Same
16	Power cord, Detachable	804,917,28x.x1	Same
	Power cord, Schuko Export	804,923,48x.x1	Same
17	Evaporator Fan Harness - 3	804,921,73x.x1	Same
18	Harness, Transformer Fuse Holder	804,921,54x.x1	Same
19	Door Switch Extension Harness (Exports)	804,921,01x.x1	Same

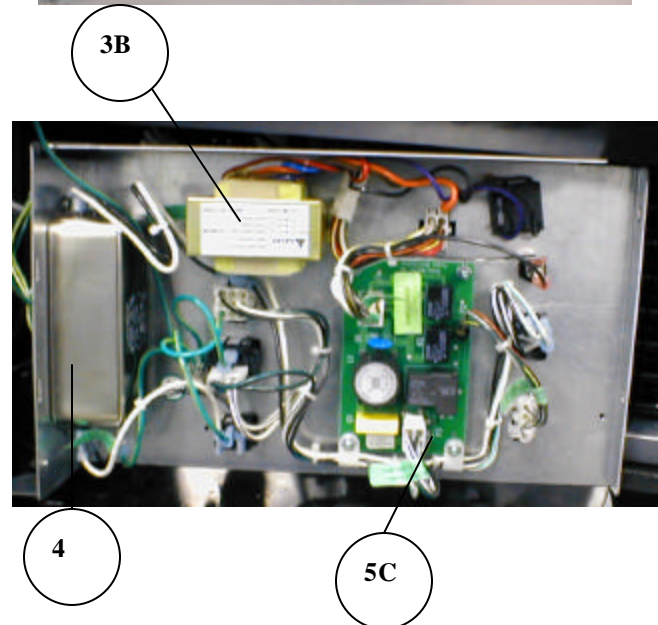
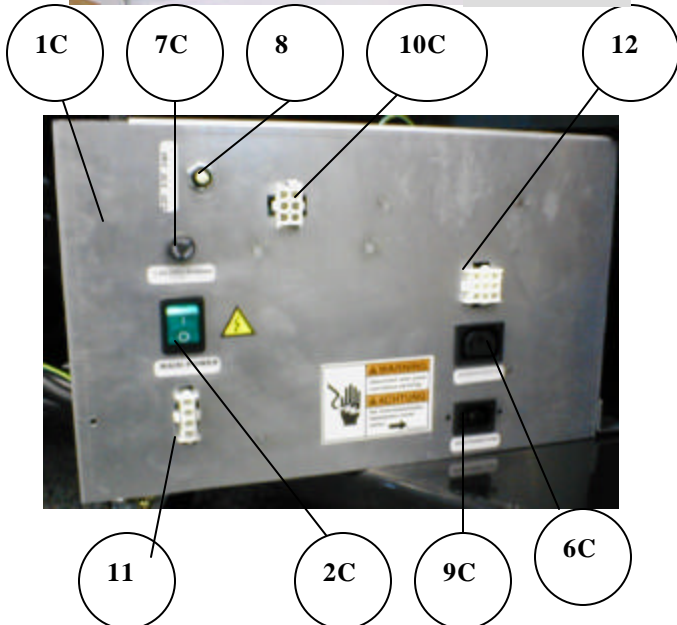
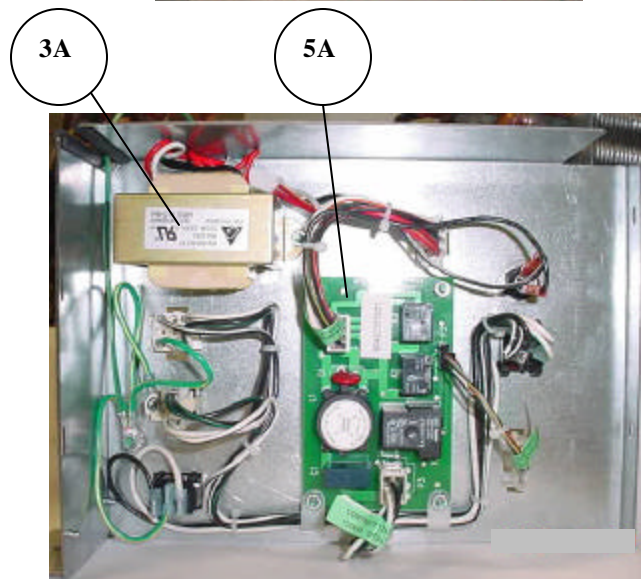
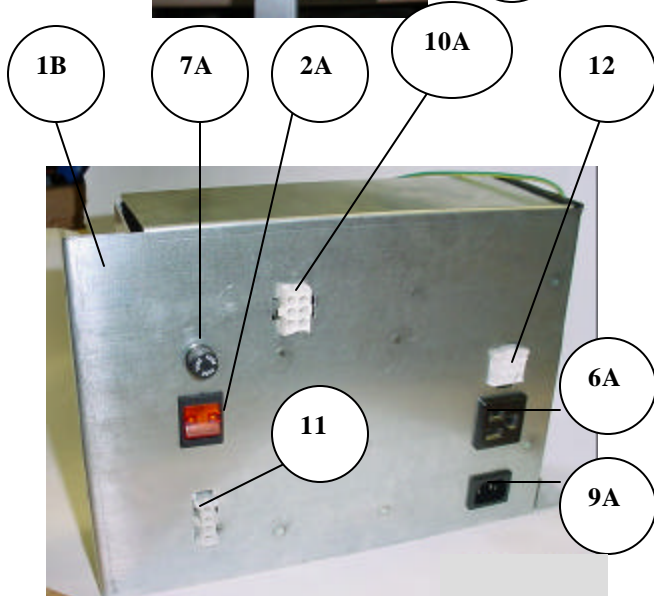
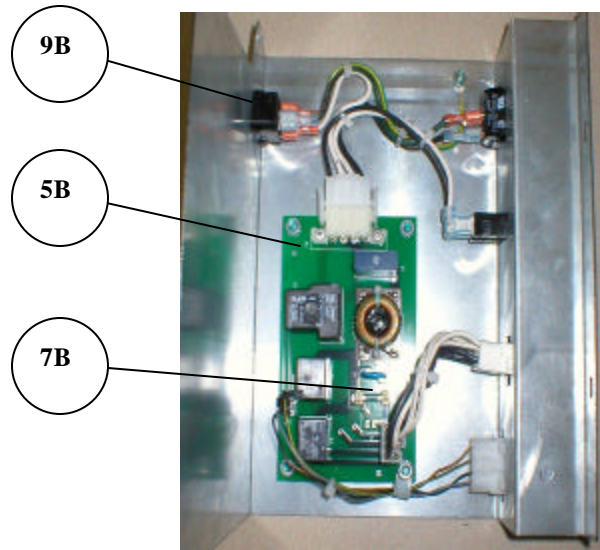
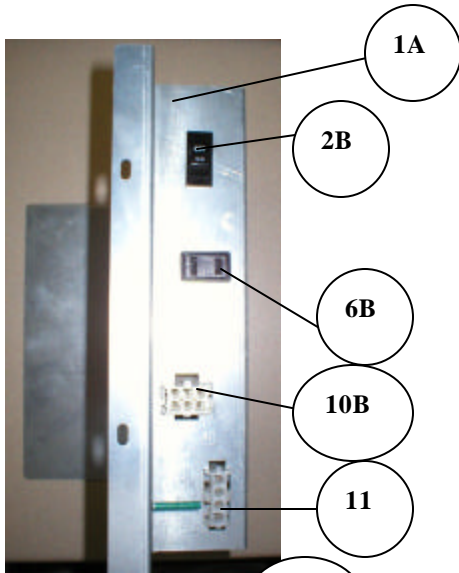
Part numbers & descriptions are subject to change with out notice.  
NA = Not applicable

TG12 MH2



- P1 – Motor
- P2 - Secondary DEX
- P3 – Display
- P4 - Select Switches
- P5 - Temp Sensor
- P7 – MDB
- P8 - Energy Management
- P10 – Sold Out LED’s
- P11 – Ready to Vend
- J1 – AC Poer
- J2 – Dex
- J4 – Cam/Sold Out
- B1 – Battery
- S1 – Service Switch

POWER DISTRIBUTION



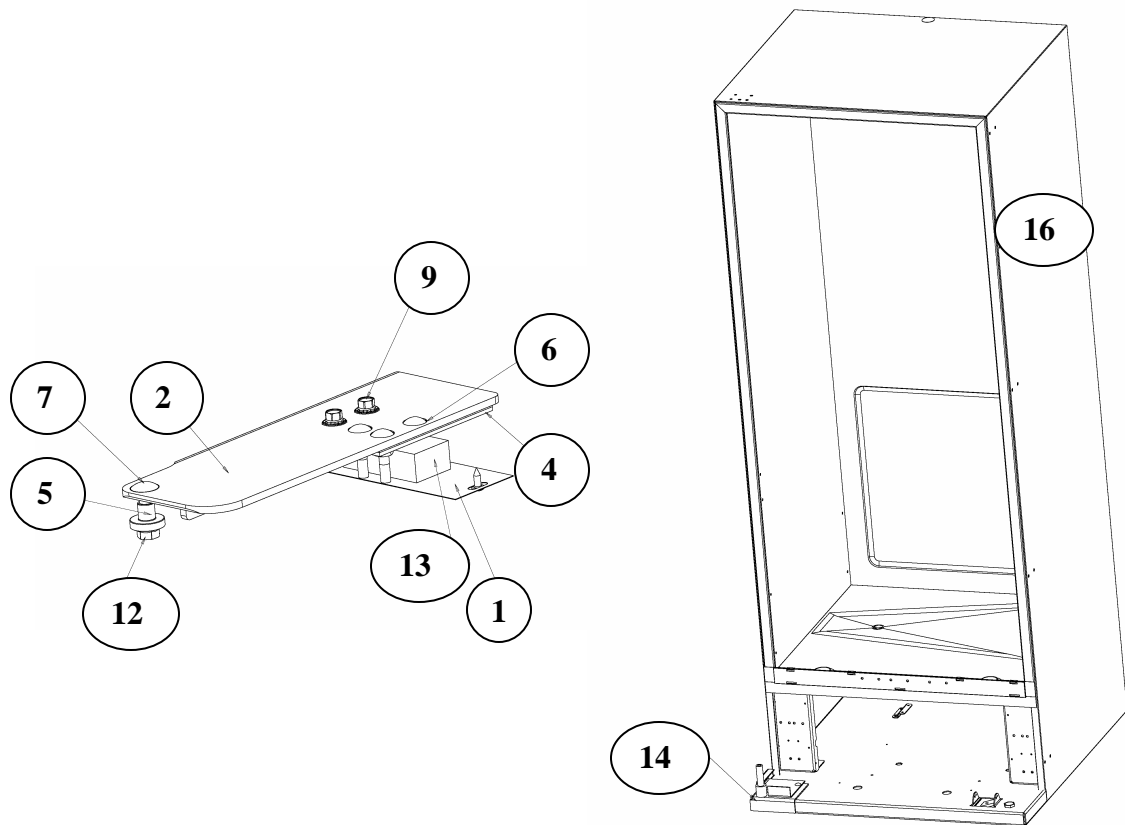


## POWER DISTRIBUTION

ITEM	PART DESCRIPTION	DN552P	DN756P
1A	Power Distribution Box Assembly Domestic (prior to 7644)	639,030,400.03	NA
1B	Power Distribution Box Assembly Domestic (7644 & higher)	639,030,90x.x3	Same
1C	Power Distribution Box Assembly Export (7644 & higher)	639,030,60x.x3	Same
2A	Power Switch, Amber Domestic (7644 & higher)	804,101,18x.x1	
2B	Power Switch, Black Domestic (prior to 7644)	804,915,15x.x1	
2C	Power Switch, Green Export (7644 & higher)	804,101,12x.x1	Same
3A	AC Distribution Box Transformer, Domestic (7644 & higher)	804,923,31x.x1	Same
3B	AC Distribution Box Transformer, Export (7644 & higher)	804,823,32x.x1	Same
4	EMI Filter Export (7644 & higher)	804,800,96x.x1	Same
5A	AC Distribution Board Domestic (7644 & higher)	804,922,57x.x1	Same
5B	AC Distribution Board Domestic (prior to 7644)	804,921,06x.x1	Same
5C	AC Distribution Board Export (7644 & higher)	804,922,58x.x1	Same
6A	Power Outlet Domestic (7644 & higher)		Same
6B	Power Outlet Domestic (prior to 7644)	804,913,62x.x1	Same
6C	Power Outlet Export (7644 & higher)	804,911,14x.x1	Same
7A	AC Distribution Fuse 1.6 Amp Domestic (7644 & higher)		Same
7B	AC Distribution Fuse 1.6 Amp Domestic (prior to 7644)	804,800,71x.x1	Same
7C	AC Distribution Fuse 1 Amp Export (7644 & higher)	804,914,23x.x1	Same
8	3 Position Rotary Switch Export	804,916,93x.x1	Same
9A	Power Plug Inlet Domestic (7644 & higher)	804,913,62x.x1	Same
9B	Power Plug Inlet Domestic (prior to 7644)	804,913,62x.x1	Same
9C	Power Plug Inlet Export (7644 & higher)	804,913,62x.x1	Same
10A	AC Distribution Harness Domestic (7644 & higher)	804,923,26x.x1	Same
10B	AC Distribution Harness Domestic (prior to 7644)		Same
10C	Power Interrupt Switch Assembly Harness Export	804,923,25x.x1	Same
11	Power Distribution Relay Harness	804,823,25x.x1	Same
12	AC Input Harness Export & Domestic (7644 & higher)	804,923,23x.x1	Same

**CABINET AND VEND MECHANISM  
(Section 1)**

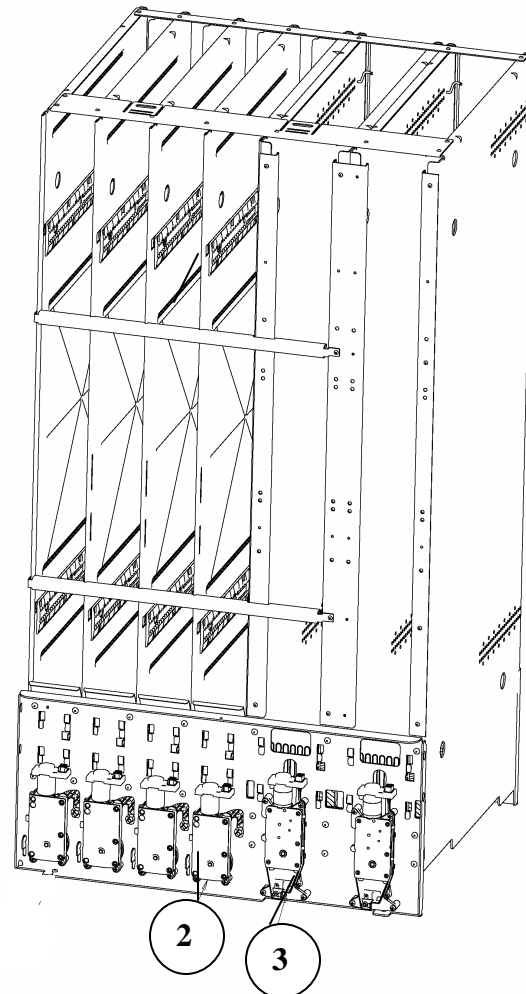
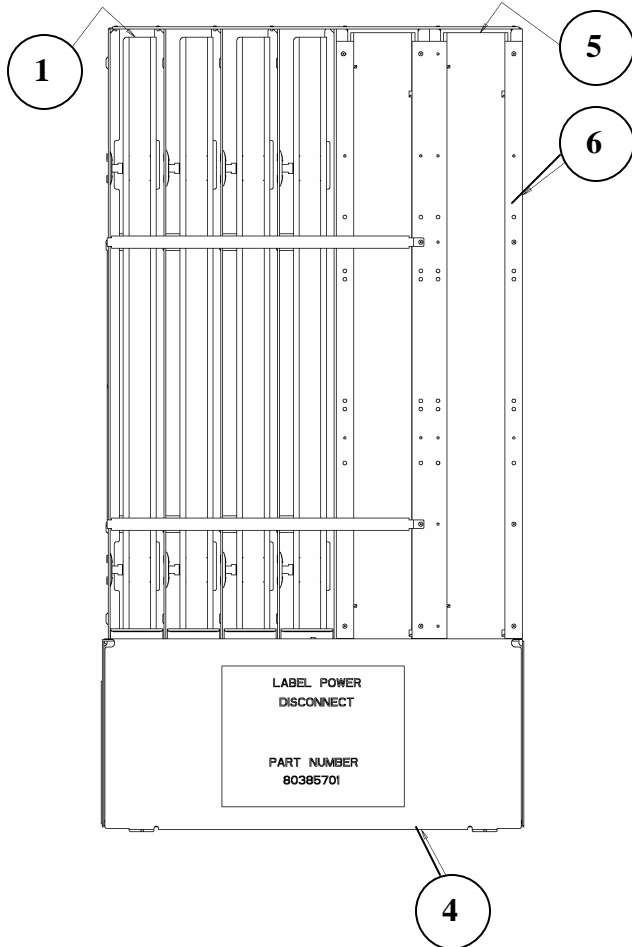
ITEM	PART DESCRIPTION	DN552P	DN756P
1	Cover, Hinge Pocket	631,051,07x.x3	169,000,13x.x3
2	Weld assembly Top Hinge (Main Door)	642,050,35x.x3	Same
3	Kit, Door Hinge	642,053,40x.x4	Same
4	Hinge, Spacer	169,000,15x.x3	Same
5	Bearing, Hinge – Pin less	805,300,42x.x1	Same
6	Bolt, Carriage ¼ - 20 x 1 ¼ (3)	900,201,23x.x1	Same
7	Bolt, Carriage 5/16 – 18 x 1 ¼ (1)	900,201,85x.x1	Same
8	Screw, Phil Pan 8 – 18 x ½ (1)	900,301,50x.x1	Same
9	Screw, Hex Tap 1/4-20 x 1 (2)	900,301,73x.x1	Same
10	Sleeve, bottom hinge	900,502,64x.x1	Same
11	Hex Nut ¼ - 20	900,800,67x.x1	Same
12	Nut, Hex Jam 5/16 - 18	900,801,02x.x1	Same
13	Block, Foam	903,300,77x.x1	Same
14	Hinge, Bottom (Main Door)	642,051,80x.x3	Same
15	Stack Supports (Not Shown)	639,070,26x.x3	Same
16	Foam Cabinet Assembly	640,060,10x.x3	639,060,10x.x3
17	Skid board 34 7/8"	805,410,19x.x1	Same
18	Loading Rack (run 7644 and higher)	805,202,63x.x1	Same



Part numbers & descriptions are subject to change with out notice.  
NA = Not applicable

**CABINET AND VEND MECHANISM**  
**(Section 2)**

ITEM	DESCRIPTION	DN552P	DN756P
1	Assembly Rear Spacer Narrow	639,075,00x.x3	Same
2	Vend Motor - Narrow Column	804,501,23x.x1	Same
3	Vend Motor - Wide Column	639,071,80x.x3	Same
4	Vend Motor Cover	640,070,06x.x3	639,070,55x.x3
5	Assembly Rear Spacer Wide	639,071,70x.x3	Same
6	Stack Assembly	640,070,90x.x3	639,071,30x.x3
7	Screw, Phil Pan 8-32x1 (12)	800,303,86x.x1	Same
8	Loading Rack (run 7644 & higher)	801,402,66x.x1	Same
9A	Bracket, Right – Loading Rack (run 7644 & higher)	640,070,17x.x3	Same
9B	Bracket, Left – Loading Rack (run 7644 & higher)	640,070,16x.x3	Same
10	Latch, Loading Rack (run 7644 & higher)	640,070,15x.x3	Same



Part numbers & descriptions are subject to change with out notice.  
NA = Not applicable

## CABINET

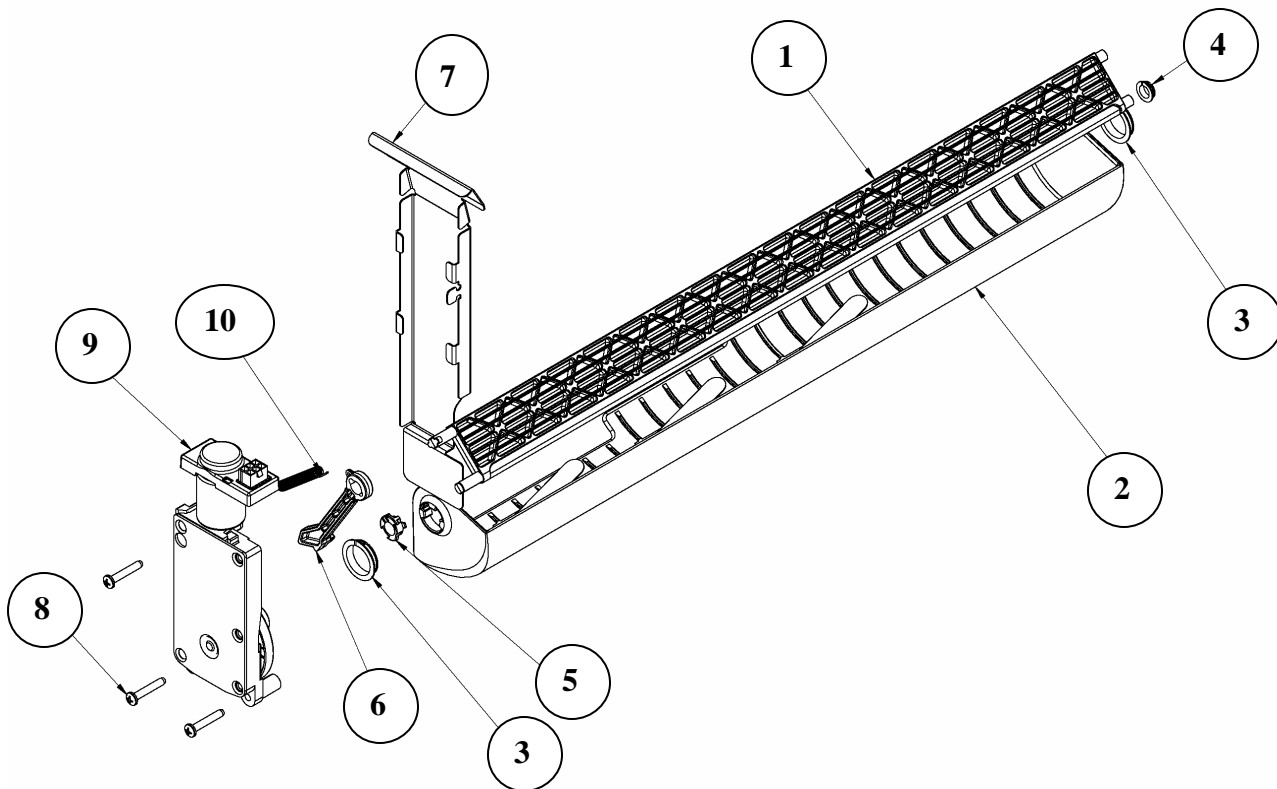
ITEM	DESCRIPTION	DN552P	DN756P
1	Plate, Protective Left Side (Specify Color)	594,020,14x.x3	Same
2	Plate, Protective Right Side Cabinet (Specify Color)	165,000,04x.x3	Same
3	Caterpillar Grommets	801,809,93x.x1	Same
4	Mullion	801,819,57x.x1	801,819,58x.x1
5	Mullion Cap	801,818,92x.x1	801,818,93x.x1
A4	Screw, Phil Pan 8-18x1/2	900,301,50x.x1	Same
A5	Screw, Phil Pan Swage Form #8-32x1/4"	900,301,97x.x1	Same
A9	Screw, Phil Pan 8-32x3/8	900,301,56x.x1	Same
A10	Screw, Machine #6-32x1 1/4"	900,201,31x.x1	Same
A14	Screw, Phil Pan 10-32x1 1/4	900,301,81x.x1	Same
A16	Screw, Phil Pan Sems 8-18x1/2"	900,301,65x.x1	Same
A17	Screw, Type F 1/4-20x5/8 (Stack Bolts)	900,302,01x.x1	Same
A19	Screw, Phil Pan 10-32x5/8	900,901,51x.x1	Same
A21	Screw, Phil Pan 8-18x1/2	900,301,98x.x1	Same
A26	Screw, Phil Pan 8-18x3/4	800,303,15x.x1	Same
B2	Hex Nut 1/4" -20	900,800,67x.x1	Same
C6	Lockwasher, Shakeproof 5/8" (1132-00-00-0551), Leveling Leg	900,700,89x.x1	Same
C8	Washer, Shakeproof (4610-16-01-0551)	900,700,62x.x1	Same
E9	Carriage Bolt 1/4-20x5/8	800,303,19x.x1	Same
F1	Pop Rivet, Aluminum 1/4"	901,100,43x.x1	Same
F5	Pop Rivet, Steel (Zinc Plated) 1/8"	901,100,61x.x1	Same
F6	Pop Rivet, Aluminum 1/8"	901,100,53x.x1	Same
H2	Tinnerman Clip, Fan Shroud (C5207-014-3B)	900,901,.89x.x1	Same
H7	Hole Plug, Snap In - 1 ¼	801,807,01x.x1	Same
I6	Clamp, Nylon 5/16 White Heyco 3555 or Dennison 10159	800,902,51x.x1	Same
I7	Clamp, Nylon 1/2" Heyco 3328	900,901,80x.x1	Same

Part numbers & descriptions are subject to change with out notice.

NA = Not applicable

VEND MECHANISM - ROTOR

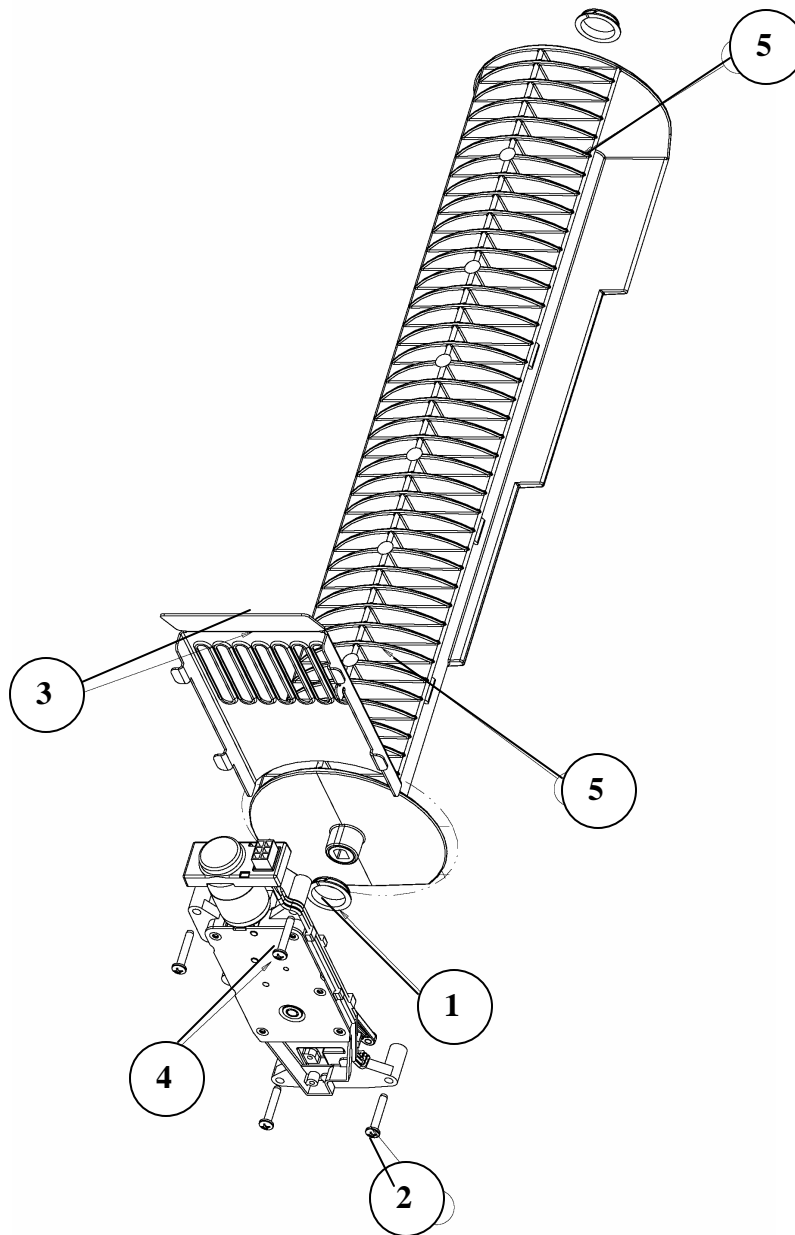
ITEM	DESCRIPTION	DN552P	DN756P
1	Load Bar - steel	801,306,59x.x1	Same
2	Vend Rotor - Narrow Column	801,201,79x.x1	Same
3	Nyliner, .750	801,819,52x.x1	Same
4	Nyliner, .312	801,819,53x.x1	Same
5	Bushing, .312 (Load Bar)	801,819,54x.x1	Same
6	Push Arm	801,819,55x.x1	Same
7	Front Gate Extension (Narrow)	639,070,14x.x3	Same
8	Screw, Phil Pan 8-32x1	800,303,86x.x1	Same
9	Vend Motor Assy., Narrow (Electronic)	804,501,23x.x1	Same
10	Spring - Push Arm	801,701,51x.x1	Same



Part numbers & descriptions are subject to change with out notice.  
 NA = Not applicable

VEND MECHANISM OSCILLATOR

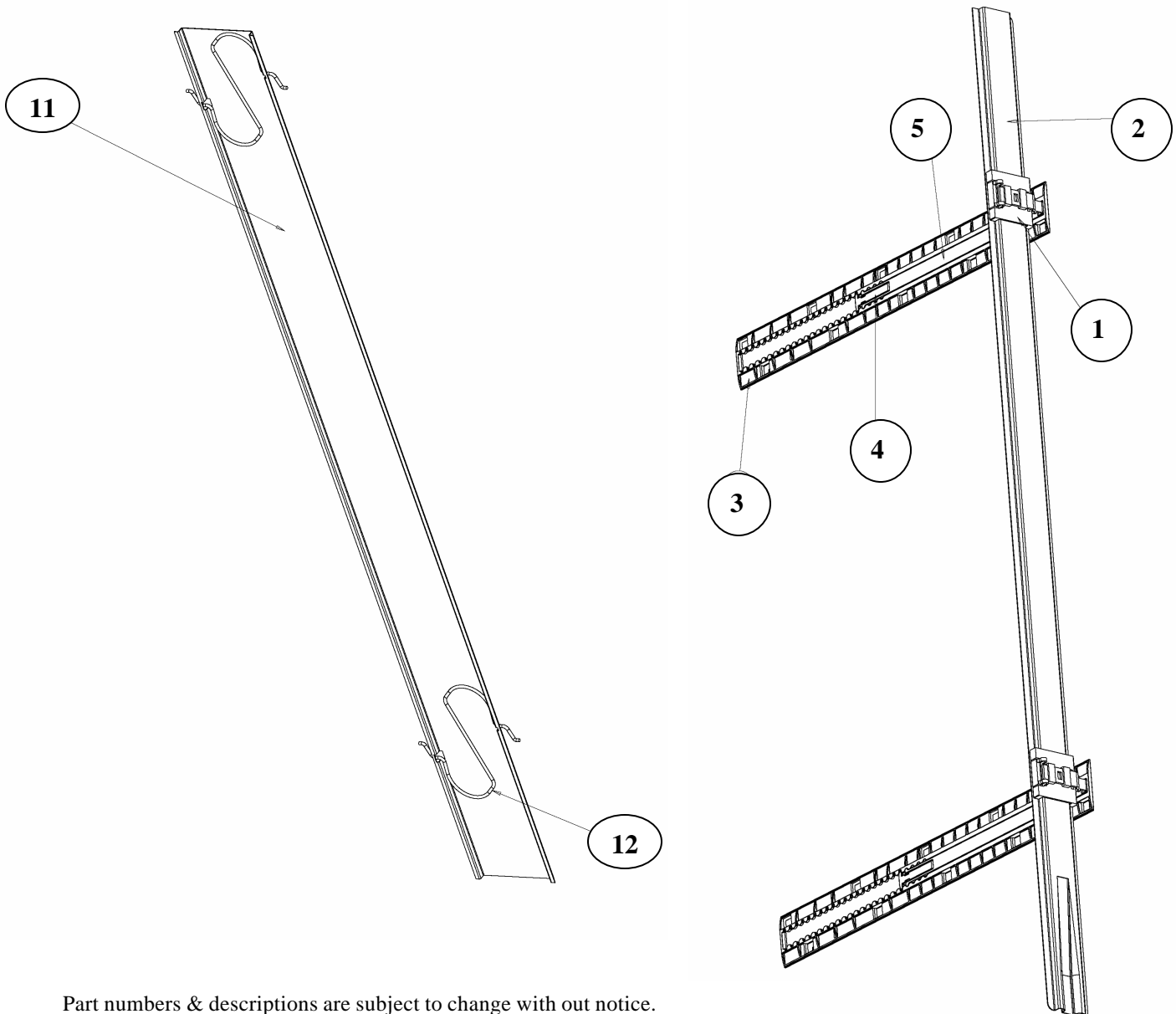
ITEM	DESCRIPTION	DN552P	DN756P
1	Nyliner, .750	801,819,52x.x1	Same
2	Screw, 8-32 x 1 Phil Pan	800,303,86x.x1	Same
3	Front Gate Extension, Wide	639,070,13x.x3	Same
4	Vend Motor Assy., Wide (Electronic)	639,071,80x.x3	Same
5	Vend Oscillator - Wide Column	801,201,73x.x1	Same
6	Package Retainer - Oscillator	801,807,87x.x1	Same
7	Can Shim Wide Column	801,818,16x.x1	Same



Part numbers & descriptions are subject to change with out notice.  
 NA = Not applicable

REAR SPACERS

ITEM	PART DESCRIPTION	DN552P	DN756P
	Assembly Rear Spacer, Narrow	639,075,00x.x3	Same
1	Bracket Rear Spacer, Narrow	801,819,56x.x1	Same
2	Spacer Rear Narrow	639,070,27x.x3	Same
3	Guide Channel	801,819,59x.x1	Same
4	Latch, Rear Spacer	801,819,61x.x1	Same
5	Assembly Guide Arm	805,202,57x.x1	Same
	Assembly Rear Spacer, Wide	639,071,70x.x3	Same
11	Rear Spacer, Wide	639,070,46x.x3	Same
12	Latch Spring Wide	901,700,87x.x1	Same

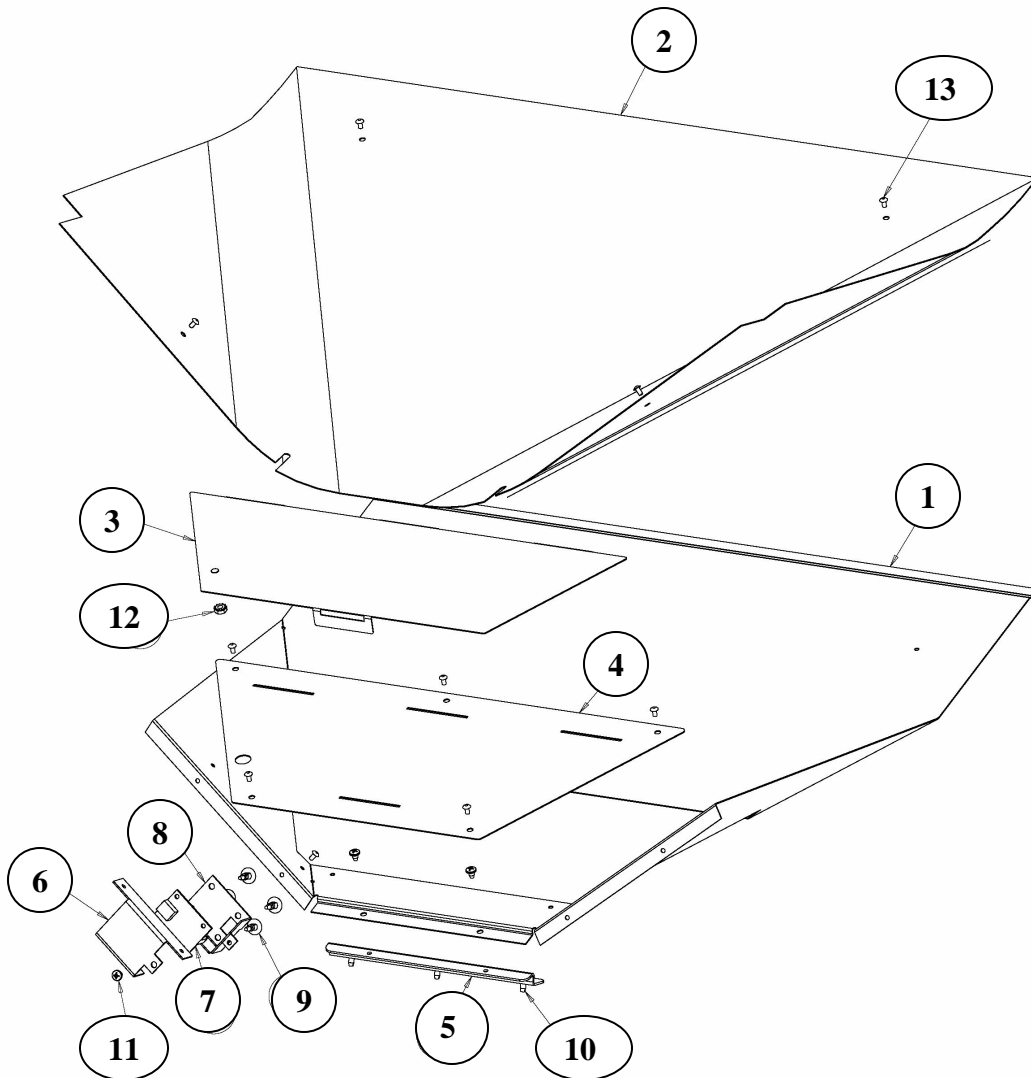


Part numbers & descriptions are subject to change with out notice.  
 NA = Not applicable

CHUTE ASSEMBLY

ITEM	PART DESCRIPTION	DN552P	DN756P
	Chute Assembly	640,071,10x.x3	639,071,20x.x3
1	Chute	640,070,41x.x3	639,070,35x.x3
2	Liner, Chute	640,070,42x.x3	639,070,36x.x3
3	Sensor Plate Assembly	640,070,33x.x3	639,070,38x.x3
4	Sensor Support Plate	640,070,32x.x3	639,070,37x.x3
5	Bracket, Chute (prior to 7644)	000658	NA
6	Housing Cover, Vend Sensor	639,070,41x.x3	Same
7	Board, Vend Sensor	804,921,92x.x1	Same
8	Vend Sensor Housing	639,070,39x.x3	Same
9	Standoff	801,904,55x.x1	Same
10	Screw, 8-32 x 3/8 Phil Pan Type 1	900,301,56x.x1	Same
11	Screw, 8-32 Phil Pan, Swageform	900,301,97x.x1	Same
12	Elastic Stop Nut #8-32	900,800,51x.x1	Same
13	Rivet 1/8 Steel Zinc Plate	901,100,61x.x1	Same
14	Jumper, Vend Sensor Board	804,922,33x.x1	Same

Note: on DN552P Venders prior to 7644, replace entire chute assemble if an individual part fails.

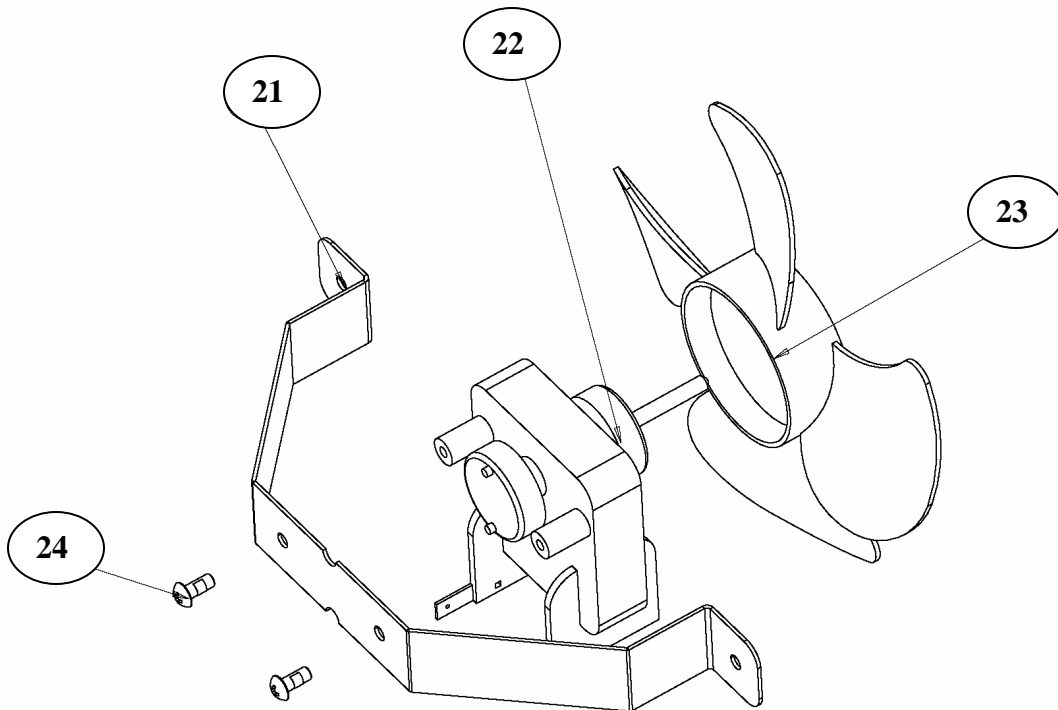
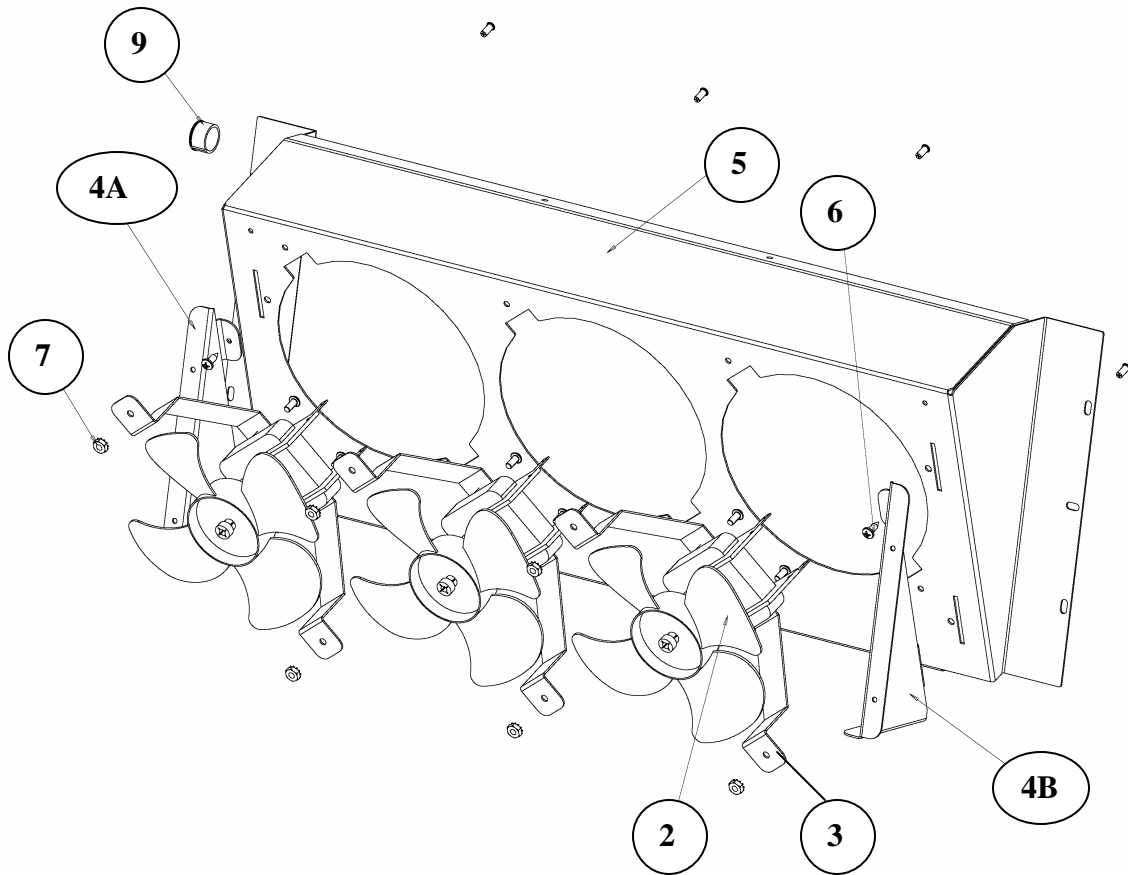


Part numbers & descriptions are subject to change with out notice.

NA = Not applicable



EVAPORATOR FAN ASSEMBLY



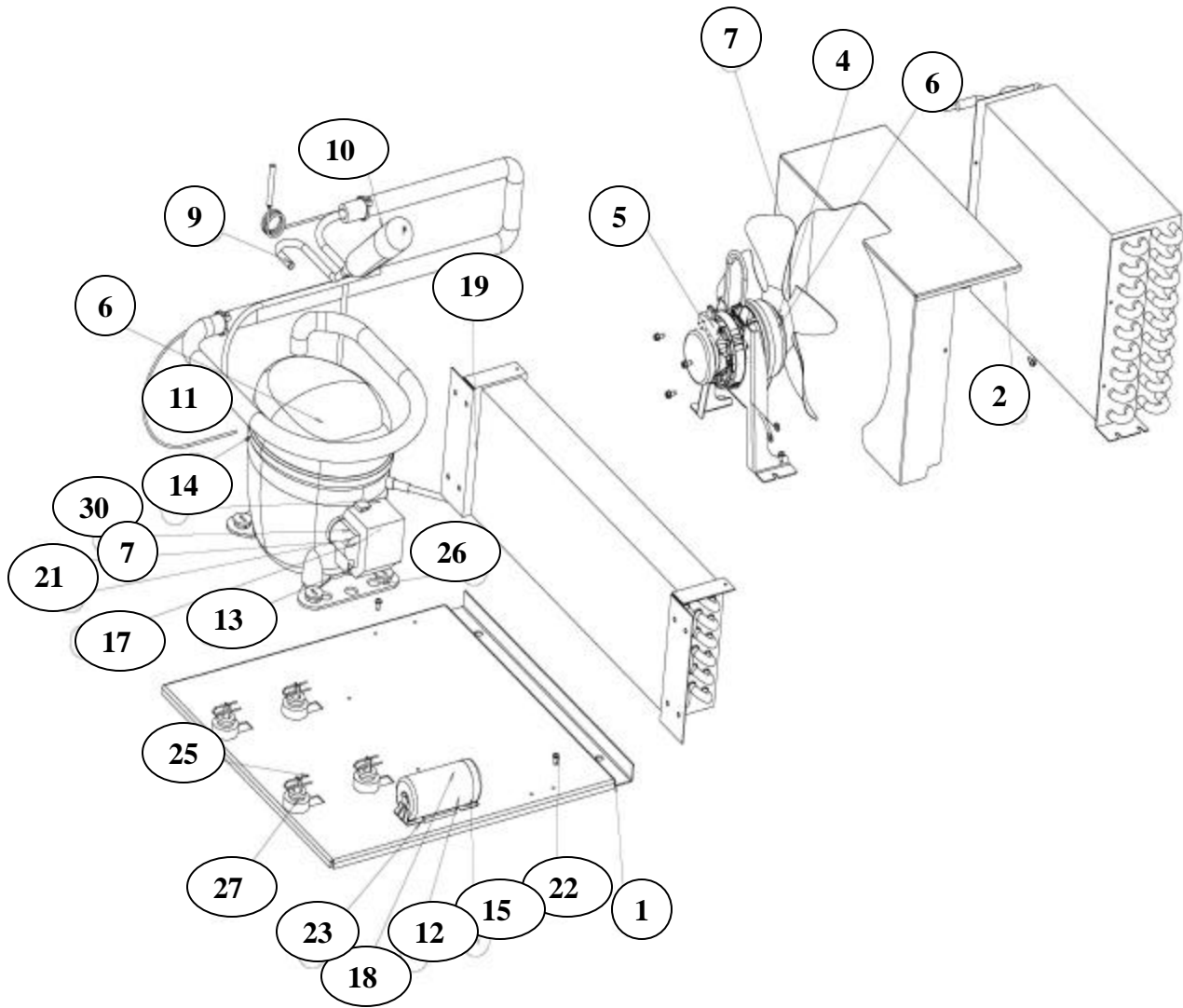
## EVAPORATOR FAN ASSEMBLY

ITEM	DESCRIPTION	DN552P	DN756P
1	Harness, Evaporator 3 Fan	804,921,73x.x1	Same
2	Evaporator Fan Motor Assy. 115V/60Hz	640,040,30x.x3	Same
	Evaporator Fan Motor Assy. 220V	639,040,60x.x3	
3	Bracket, Evaporator Fan Motor	640,040,06x.x3	Same
4A	Bracket, Evaporator Fan Panel Left Hand	640,040,08x.x3	Same
4B	Bracket, Evaporator Fan Panel Right Hand	640,040,07x.x3	Same
5	Sub Assembly Evaporator Fan Shroud – 3	640,040,20x.x3	NA
	Sub Assembly Evaporator Fan Shroud – 4	NA	639,040,30x.x3
6	Screw, Phil Pan 8 - 18 x 1/2"	900,301,50x.x1	Same
7	Hex Nut #10 - 32	900,800,65x.x1	Same
8	Tie, 5.5 " Hand	901,901,06x.x1	Same
9	Bushing, 3/4" split Heyco	901,902,17x.x1	Same
10	Screw, Sems Phil Pan 8 – 32 x 3/8	800,303,42x.x1	Same
11	Strip, Poly Foam 24.5" (under chute) "Air Stop" (Not Shown)	803,301,38x.x1	Same
21	Fan Bracket, Evaporator	640,040,06x.x3	Same
22	Evaporator Fan Motor 115V 3000 RPM 0.5 Amp	804,501,25x.x1	Same
	Evaporator Fan Motor 220V	804,501,38x.x1	Same
23	Blade, Fan 6.0" CW (4 blade plastic)	801,818,88x.x1	Same
24	Speed Nut (Evaporator fan) (Not Shown)	900,800,85x.x1	Same

Part numbers & descriptions are subject to change with out notice.

NA = Not applicable

REFRIGERATION SYSTEM



**REFRIGERATION SYSTEM  
(SECTION ONE)**

ITEM	DESCRIPTION	DN552P	DN756P
	Model 3001C-E Kit 115V/60Hz	609,047,10x.x4	Same
	Model 3021-E Refrigeration Unit 220V	639,040,50x.x3	Same
1	Base Plate	639,040,02x.x3	Same
2	Condenser, 1.33 FPI	802,600,69x.x1	Same
3	Assembly, Heat Exchanger	640,040,00x.x3	Same
4	Fan Blade, Condenser (FV900CW30S)	801,306,65x.x1	Same
5	Assembly, Condenser Fan Motor 115/60 (9W CW)	804,501,22x.x1	Same
	Assembly, Condenser Fan Motor Export	804,501,37x.x1	Same
6	Tube Discharge	640,040,04x.x3	Same
7	Shroud, Condenser	640,040,02x.x3	Same
8	Label, Name Plate 115/60	803,872,04x.x1	Same
9	Tube, Evaporator – Accumulator Adapter	491,040,19x.x3	Same
10	Accumulator	802,400,46x.x1	Same
11	Dryer, .054 Extended outlet, 134A	802,401,29x.x1	Same
12	Capacitor End Cap, Bottom Hole	802,501,18x.x1	Same
13	Compressor E FFI12HBX 115/60	802,501,74x.x1	Same
	Compressor E FFI12HBK 220/50	802,502,17x.x1	Same
14	Cover, Embraco (1.355.504 short)	802,501,86x.x1	Same
15	Bracket, Capacitor	802,501,87x.x1	Same
16	Overload, MRT 22AFZ-5598	802,502,10x.x1	Same
	Overload, MRP 40APN-5598 (Export)	802,502,19x.x1	Same
17	Relay, 1.351.605	802,502,13x.x1	Same
	Relay, 21.351.6035 (Export)	802,502,18x.x1	Same
18	Capacitor, Start 233-280 MFD/165V	802,502,21x.x1	Same
19	Evaporator, Short	802,600,37x.x1	Same
20	Tube, ¼ OD x .028 W, Copper	803,000,39x.x1	Same
21	Screw, Brass 6-32x1/4	900,201,44x.x1	Same
22	Screw, 8-32x3/8	900,301,56x.x1	Same
23	Screw, Phil Flat Head 10-32x1/2	900,301,94x.x1	Same
24	Nut, Speed	900,800,85x.x1	Same
25	Clip, Spring	900,901,88x.x1	Same
26	Plug, Compressor Grommet	901,803,91x.x1	Same
27	Grommet, Compressor	902,000,57x.x1	Same
28	Silencer	902,100,29x.x3	Same
29	Label, 134a Recoverable Substance	903,833,54x.x1	Same
30	Terminal	904,601,36x.x1	Same
31	Lead, Compressor (harness)	904,900,61x.x1	Same
	Lead, Compressor (harness) - Europe	804,905,32x.x1	Same
32	Drain Pan Assembly with Fiberglass Soakers (Not Shown)	805,800,71x.x1	Same
33	Soakers, Fiberglass (14 required) (Not Shown)	905,800,69x.x1	Same
34	Ingress Guard	000455	639,020,01x.x3
35	Drain Tube	801,806,05x.x1	Same
36	Drain Tube Nut	900,301,79x.x1	Same
37	Drain Hose	901,900,50x.x1	Same
38	Drain Hose Clamp	900,901,03x.x1	Same
39	Power Cord (Detachable)	804,917,28x.x1	Same
40	Temperature Sensor Encapsulated (Not Shown)	000115	Same
41	Temp Sensor Jumper	804,921,63x.x1	Same

Part numbers & descriptions are subject to change with out notice.

NA = Not applicable

## MISC. LABELS

ITEM	DESCRIPTION	DN552P	DN756P
1	Labels		
	Price Label Sheet .50- 1.25	903,857,37x.x1	Same
	Coke Programming 3.0 (English)	803,871,11x.x1	Same
	Label, Select Button to Column	803,871,38x.x1	803,871,79x.x1
	Warning: Do Not Tilt	803,868,29x.x1	Same
	134A Removable Substance	903,833,54x.x1	Same
	Money Removed Daily	903,805,70x.x1	Same
	Label, Warning Disconnect Main Power cord	803,868,02x.x1	Same
	Label, Main Power	803,860,85x.x1	Same
	Refrigeration Outlet	803,868,04x.x1	Same
	Skid Removal	903,828,70x.x1	Same
	Coin Mechanism Label	903,901,30x.x1	Same
	Fuses F1-Amp, F2-6A	803,843,91x.x1	Same
	Fuse, 1.6 Amp	804,800,71x.x1	Same
	Label, 1.6 Amp Fuse	803,868,03x.x1	Same
	Mercury Notice Label	803,860,59x.x1	Same
	Notice - No Refund Label	803,860,53x.x1	Same
	Motor Cover Label, Power Disconnect	803,857,01x.x1	Same
	Label, Loading Platform	803,855,59x.x1	Same
	Label, Upper Refill Narrow Column	803,876,01x.x1	Same
	Label, Important Loading Instructions	803,872,33x.x1	Same
	Label, Upper Refill Wide Column	803,876,02x.x1	Same
	Label, Lower Refill Narrow Column	803,876,03x.x1	Same
	Label, Lower Refill Wide Column	803,876,04x.x1	Same
	Kit, ID Number Labels	615,000,10x.x4	609,000,70x.x4
2	Wiring Diagram P Series LMV 8 Select	803,871,49x.x1	NA
	Wiring Diagram P Series LMV 12 Select	NA	803,873,26x.x1
3	Technical Manual	803,903,78x.x1	Same
4	Installation Set Up Guide	803,903,93x.x1	Same

Part numbers & descriptions are subject to change with out notice.  
NA = Not applicable

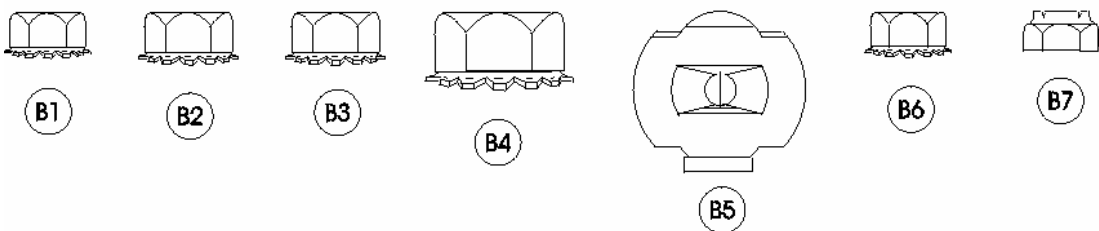
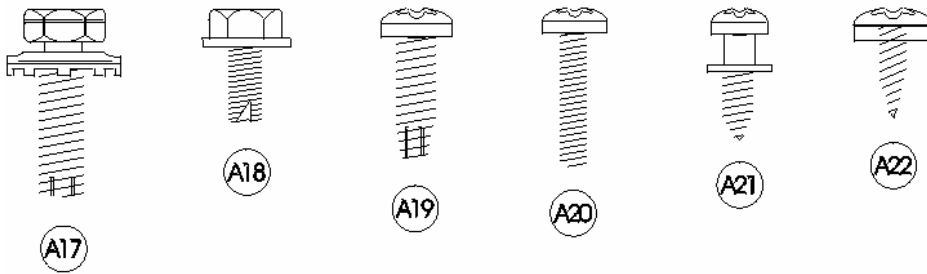
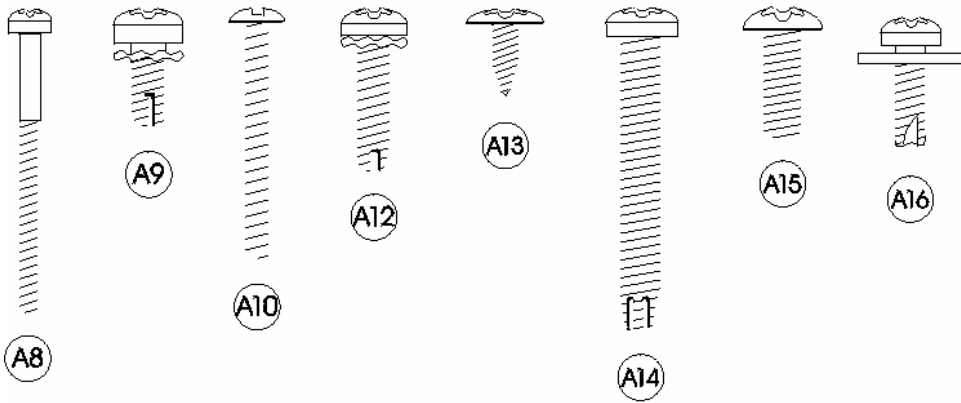
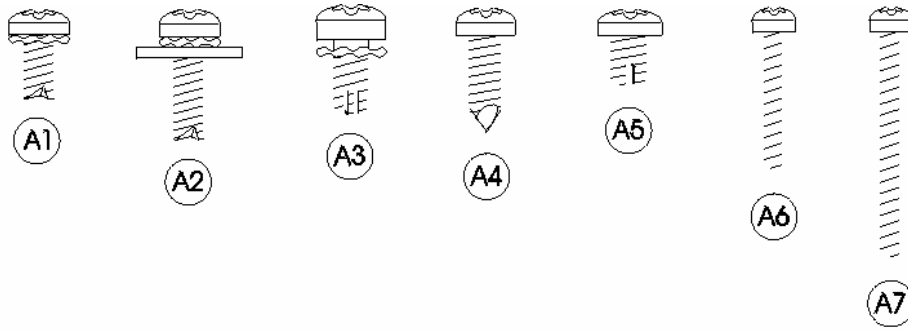
**DOMESTIC SIGNS & SIDE DECALS**  
**(Contact Parts Department for any not listed)**

ITEM	DESCRIPTION	DN552P	DN756P
1	Side Decals – Universal Ribbon '03	803,869,76x.x1	Same
	Side Decals – Liquid 04	803,873,33x.x1	Same
2	Sign – Universal Ribbon '03	805,033,17x.x1	805,033,18x.x1
	Sign – Liquid 04	805,036,21x.x1	805,035,71x.x1

Part numbers & descriptions are subject to change with out notice.

NA = Not applicable

SCREWS & NUTS



## SCREWS &amp; NUTS

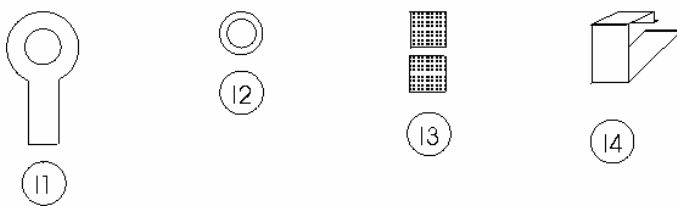
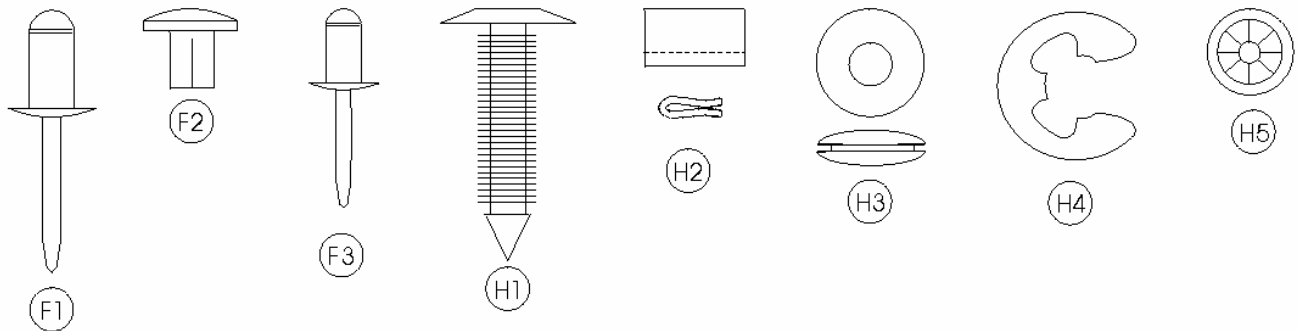
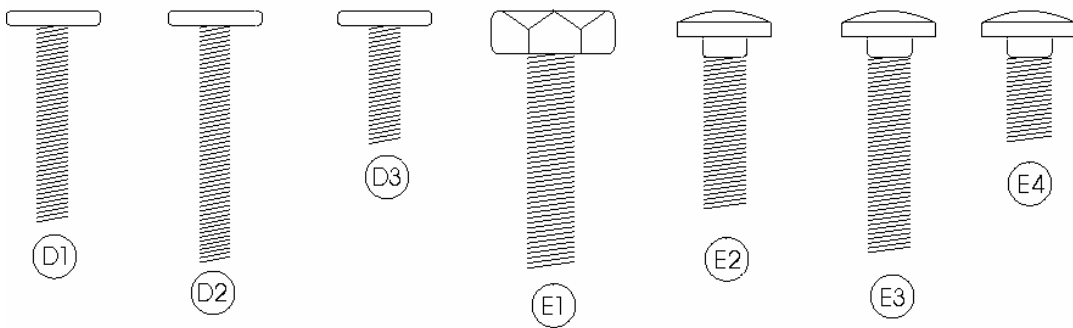
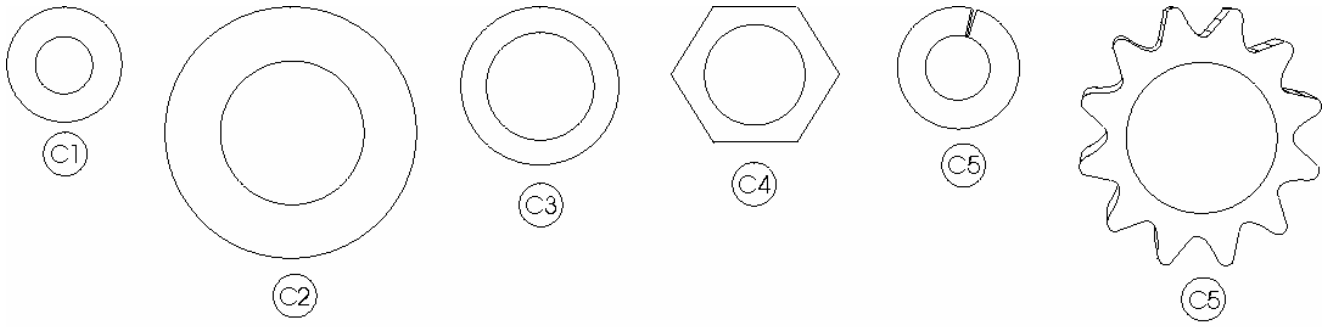
ITEM	PART NUMBER	PART NAME AND DESCRIPTION
A1	900,301,70x.x1	Screw, Phil Pan Swage Form #6 - 32 x 3/8"
A2	900,301,64x.x1	Screw, Phil Pan Swage Form w/washer #8 - 32 x 1/2"
A3	900,301,83x.x1	Screw, Phil Pan Swage Form #10 - 32 x 5/16"
A4	900,301,50x.x1	Screw, Phil Pan w/out washer, #8 - 18 x 1/2"
A5	900,301,97x.x1	Screw, Phil Pan Swage Form #8 - 32 x 1/4"
A6	900,300,47x.x1	Screw, Vend Motor, #4-24 x 3/4" Single Switch (NOT USED)
A7	900,301,82x.x1	Screw, Vend Motor, #4-24 x 1 1/16" Double Switch (NOT USED)
A8	900,301,61x.x1	Screw, Vend Motor, #4-24 x 1 1/2" Triple Switch (NOT USED)
A9	900,301,56x.x1	Screw, Phil Pan Cutting #8 - 32 x 3/8"
A10	900,201,31x.x1	Screw, Machine, #6 - 32 x 1 1/4"
A11	900,301,97x.x1	Screw, Phil Pan Sems #8 - 32 x 1/4"
A12	900,301,85x.x1	Screw, Phil Thread Form #8 - 32 x 5/8"
A13	900,300,16x.x1	Screw, Phil Head Truss #6 x 3/8"
A14	900,301,81x.x1	Screw, Phil Pan Form #10 - 32 x 1 1/4"
A15	900,201,14x.x1	Screw, Machine Truss, #10 - 32 x 1/2"
A16	900,301,65x.x1	Screw, Phil Pan Sems with washer, #8 - 18 x 1/2"
A17	900,302,01x.x1	Screw, Self Tapping, 1/4 - 20 x 5/8"
A18	900,301,69x.x1	Screw, Hex Head Swage Form #8 - 36 x 3/8"
A19	900,901,51x.x1	Screw, Phil Pan Tapping #10 - 32 x 5/8"
A20	900,201,22x.x1	Screw, Machine Phil Pan #8 - 32 x 3/4"
A21	900,301,98x.x1	Screw, Phil Pan Shoulder #8 - 18 x 1/2"
A22	900,301,84x.x1	Screw, Phil Pan #8-18x1/2"
A23	900,500,26x.x1	Shoulder Screw 1/2" Long
A24	900,201,13x.x1	Screw, Hex Head
A25	900,301,73x.x1	Screw, Tap 1/4-20x1" Type F
A26	800,303,15x.x1	Screw, Phil Pan #8-18x3/4"
A27	800,303,18x.x1	Screw, Truss Type 23 #8-32x1/2
A28	900,301,94x.x1	Screw, Phil Flat 23B #10-32x1/2"
A29	900,201,44x.x1	Screw, Machine Brass #6-32x1/4"
A30	900,301,99x.x1	Screw, Plastic 8-hi/low x 1 1/4
A31	900,301,55x.x1	Screw, Phil Pan Swage Form #8-32x1/2"
A32	900,303,08x.x1	Screw, Hex Washer Type 1 #8-32x3/8"
A34	800,303,22x.x1	Screw, Phil Pan #6-20x3/8
A35	900,302,02x.x1	Screw, Self Tapping, #8-18x3/4
A36	900,201,86x.x1	Screw, Phil Pan Head #6-32x1/4"
B1	900,800,65x.x1	Hex Nut, #10 - 32
B2	900,800,67x.x1	Hex Nut, 1/4 - 20
B3	900,800,50x.x1	Hex Nut, #8 - 32
B4	900,800,69x.x1	Hex Nut, Top Door Hinge, 3/8 - 16
B5	900,800,85x.x1	Speed Nut
B6	900,800,49x.x1	Hex Nut, #6 - 32
B7	900,800,51x.x1	Elastic Stop Nut, #8 - 32
B8	900,800,81x.x1	Hex Nut 8-32
B9	900,902,37x.x1	Push Nut, Acorn Type
B10	900,801,02x.x1	Hex Nut 5/16-18
B11	900,800,81x.x1	Hex Nut, Flange with Serrations 8-32

Part numbers & descriptions are subject to change with out notice.

NA = Not applicable



WASHERS, BOLTS, & MISC. HARDWARE



**WASHERS, BOLTS, & MISC. HARDWARE**

ITEM	PART NUMBER	PART NAME AND DESCRIPTION
C1	900,700,60x.x1	Washer, Delrin .047 Thick 3/8"IDx5/8"OD
C2	901,303,77x.x1	Washer, Door Hinge
C3	901,503,06x.x1	Washer, Flat #2949 (T-Handle)
C4	901,503,08x.x1	Washer, Hex #29-34 (T-Handle)
C5	900,700,36x.x1	Lockwasher, Split 3/8"
C6	900,700,89x.x1	Lockwasher, Shakeproof 5/8" (1132-00-00-0551)
C7	900,700,02x.x1	Steel Washer, 18 Gauge (1/2"x3/16")
C8	900,700,62x.x1	Washer, Shakeproof (4610-16-01-0551)
C10	900,700,83x.x1	Washer, Flat 18 Gauge (17/64"IDx5/8"OD)
C11	900,700,08x.x1	Washer, Flat 14 Gauge (5/16"-3/8"x7/8")
C12	801,902,48x.x1	Nylon Spacer
	900,701,05x.x1	Washer Flat (.343"ID x .688" OD .6T)
D1	900,400,43x.x1	T-Bolt, #8 - 32 x 1" (obsolete)
D2	900,400,41x.x1	T-Bolt, #8 - 32 x 1 3/8"
D3	900,40x.x5x.x1	T-Bolt, #8 - 32 x 3/4"
D4	900,400,45x.x1	T-Bolt, #8 - 32 x 1/2"
E1	900,400,44x.x1	Refrigeration Bolt, 3/8 - 16 x 1"
E2	900,201,17x.x1	Carriage Bolt, 1/4 - 20 x 1"
E3	900,201,23x.x1	Carriage Bolt, 1/4 - 20 x 1 1/4"
E4	900,201,45x.x1	Carriage Bolt, 1/4 - 20 x 1/2"
E5	900,201,54x.x1	Carriage Bolt, 1/4 - 20 x 3/8"
E6	900,201,56x.x1	Carriage Bolt, 1/4 - 20 x 3/4"
E7	900,303,12x.x1	Carriage Bolt, 1/4-20x5/8" (obsolete)
E8	900,201,85x.x1	Carriage Bolt, 5/16x18x1 1/4" Top Hinge (drop in)
E9	800,303,19x.x1	Carriage Bolt, 1/4-20x5/8"
E10	900,202,04x.x1	Carriage Bolt, 1/4-20x1/2" (red)
F1	901,100,43x.x1	Pop Rivet, Aluminum 1/4"
F2	901,100,44x.x1	Drive Rivet, #38-108-06-13 1/4" dia.
F4	901,100,54x.x1	Pop Rivet, Black 1/8"
F5	901,100,61x.x1	Pop Rivet, Steel (Zinc Plated) 1/8"
F6	901,100,53x.x1	Pop Rivet, Aluminum 1/8"
F7	901,100,60x.x1	Pop Rivet, Steel (Zinc Plated) 3/16"
H1	900,902,13x.x1	Christmas Tree Clip #354280307-00 (NOT USED)
H2	900,901,89x.x1	Tinnerman Clip, Fan Shroud (C5207-014-3B)
H3	900,401,09x.x1	Grommet, Bk. Rubber #97
H4	901,503,07x.x1	E-Ring #31-30
H5	900,900,90x.x1	Retainer, Roller Pin
H6	900,902,18x.x1	Tinnerman Clip
H7	801,807,01x.x1	Hole Plug, Snap in - 1 1/4
H8	901,806,77x.x1	Grommet, Admiral #B53351
H9	902,100,29x.x1	Silencer
I1	804,601,45x.x1	#6 Terminal Ring Crimp 16-14 AWG
I2	801,902,48x.x1	Nylon Spacer used on Coke D/O Boards
I3	801,809,12x.x1	Velcro Blocks
I4	801,807,49x.x1	Vender Defender Clamp

Part numbers & descriptions are subject to change with out notice.

NA = Not applicable

**WASHERS, BOLTS, & MISC. HARDWARE**

ITEM	PART NUMBER	PART NAME AND DESCRIPTION
15	901,901,89x.x1	Clamp, Cable 1" Heyco 3390
16	900,901,79x.x1	Clamp, Nylon 5/16" Black Heyco 3355 or Dennison 10159
17	900,901,80x.x1	Clamp, Nylon 1/2" Heyco 3328
18	901,901,06x.x1	Hand Tie, x.x"
19	901,902,01x.x1	Wire Tie, 7 1/2"
10	901,901,00x.x1	Wire Ties, 4"
11	901,900,55x.x1	Clamp, Nylon 3/4" Heyco 3382BL
12	901,902,83x.x1	Cable Tie, x.x"
13	900,902,14x.x1	Canoe Clip #254-090-301-00-0108

Part numbers & descriptions are subject to change with out notice.

NA = Not applicable